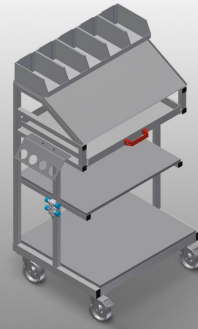




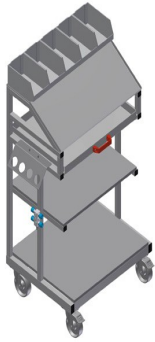
WKW800

Tool trolleys

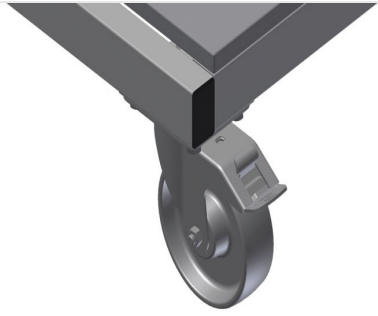


Accessories trolley for tools and small parts for the assembly station

- Stable steel construction
- The trolley is suitable for depositing tools and material
- Makes organising the workplace easy
- Makes transportation to the assembly station easy
- Two storage trays for setting down accessories and tools
- One drawer for tools
- Five PVC containers for small accessories, hardware and screws
- Storage area with reading desk for drawings
- 4-fold compressed air supply
- Tool rack for pneumatic or electric tools
- Four castors, two of which have a fixing brake

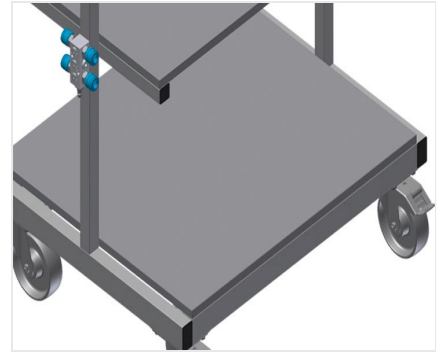


Tool and small-parts trolley WKW 800



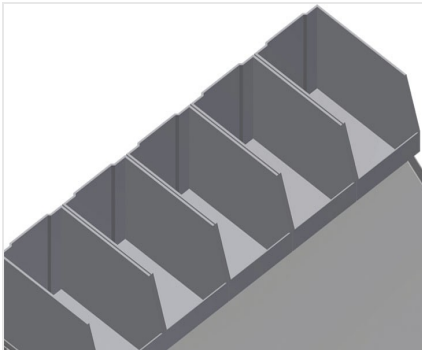
Casters

Four casters, two of which have a fixing brake, provide a high degree of mobility and easy, safe handling



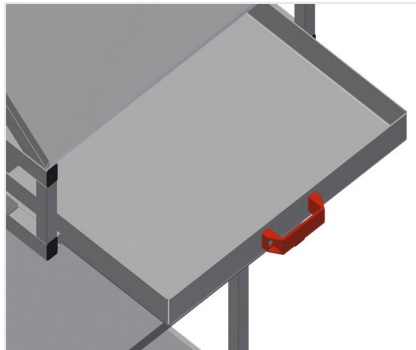
Storage surfaces for accessories

Storage tray for setting down accessories and tools



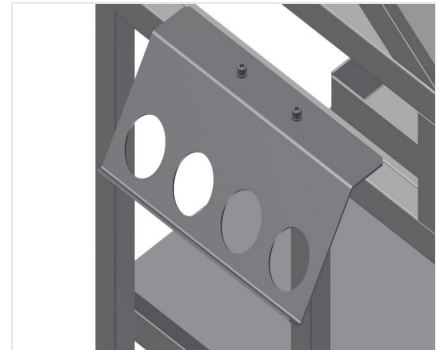
Containers

PVC containers for small accessories, hardware and screws



Drawer

Drawer for tools



Tool rack

Tool rack for pneumatic and electrical tools





WKW 800 / TOOL TROLLEYS

- Length 750 mm
- Width 600 mm
- Height 1,300 mm
- Weight 60 kg
- Load 300 kg
- Roller diameter 125 mm