



### VR

### Vertical roller conveyors

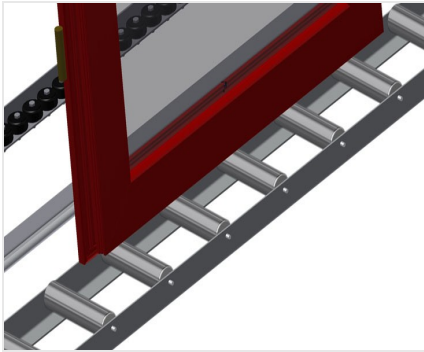


Expandable using modular system design. Vertical roller conveyor for smooth transportation and storage of window elements. Easy handling of window elements.

VR 2000 / VR 3000 / VR 4000 / VR 2003 / VR 3003 / VR 4003: Expandable using modular system design. Every roller conveyor unit is 2.000/3.000/4.000 mm long (according to model). Plastic slide bars top and bottom. Three mini-roller conveyors with rubber rollers, diameter 50 mm. Basic unit without end rack.

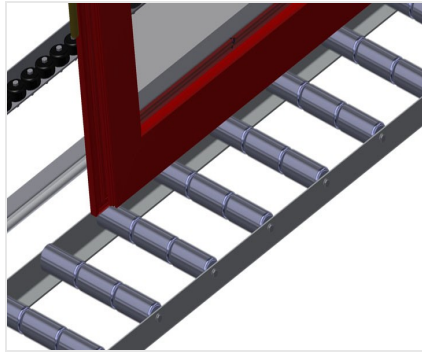
VR 2000 F / VR 3000 F / VR 4000 F / VR 2003 F / VR 3003 F / VR 4003 F: Every roller conveyor unit is 2.000/3.000/4.000 mm long (according to model). Plastic slide bars top and bottom. Three mini-roller conveyors with rubber rollers, diameter 50 mm. Basic unit without end rack.

VR 3000 DF / VR 4000 DF / VR 3003 DF / VR 4003 DF: Every roller conveyor unit is 3.000/4.000 mm long (according to model). Plastic slide bars top and bottom. Three mini-roller conveyors with rubber rollers, diameter 50 mm. Basic unit with end rack. Vertical roller conveyor on rails with flanged rollers, mobile. Roller conveyor can be rotated 360°.



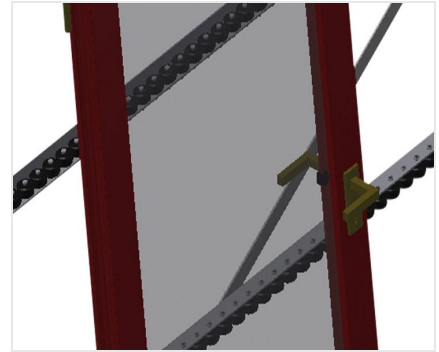
**Support rollers VR 2000 / VR 3000 / VR 4000 / VR 2000F / VR 3000F / VR 4000F / VR 3000DF / VR 4000DF**

Rollers throughout, support roller width 200 mm



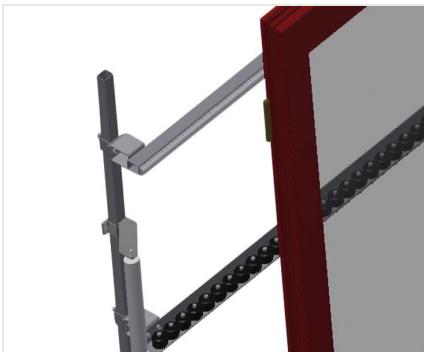
**Support rollers VR 2003 / VR 3003 / VR 4003 / VR 2003F / VR 3003F / VR 4003F / VR 3003DF / VR 4003DF**

Rollers throughout, Roller conveyor divided into three parts, 3x 120 mm



**Mini-roller conveyor**

Three mini-roller conveyors with rubber rollers, diameter 50 mm



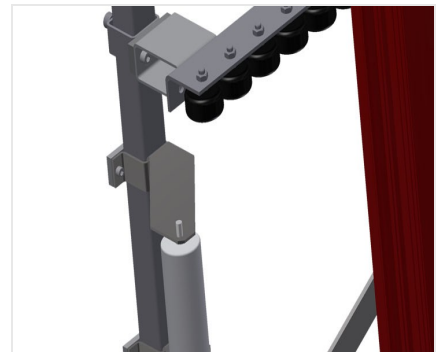
**Back support**

Rear back support with plastic slide bars, top and bottom



**Roller conveyor height adjustment VR 2000 / VR 3000 / VR 4000 / VR 2003 / VR 3003 / VR 4003**

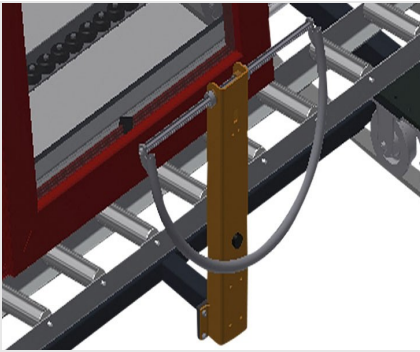
Roller conveyor height adjustment



**Mini-roller conveyor height adjustment VR 2000 / VR 3000 / VR 4000 / VR 2003 / VR 3003 / VR 4003**

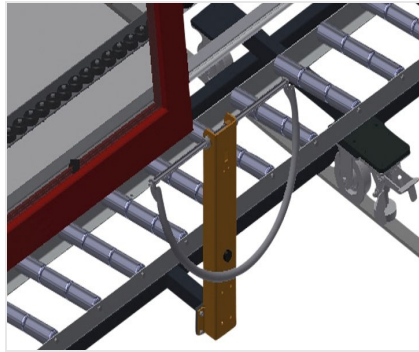
Mini-roller conveyor height is adjustable





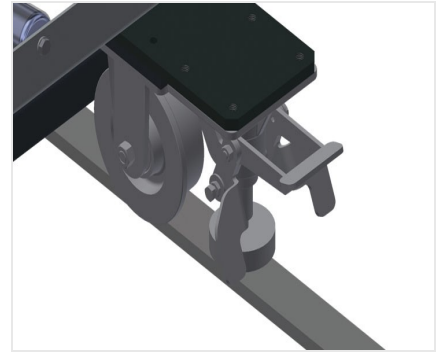
**Grip VR 2000F /  
VR 3000F / VR 4000F /  
VR 3000DF / VR 4000DF**

Grip makes pushing the roller conveyor on the rails easy



**Grip VR 2003F /  
VR 3003F / VR 4003F /  
VR 3003DF / VR 4003DF**

Grip makes pushing the roller conveyor on the rails easy



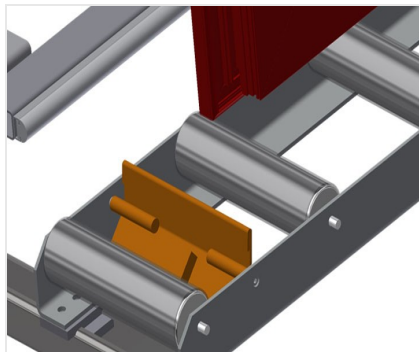
**Mobility unit (VR 2000 /  
VR 3000 / VR 4000 /  
VR 2003 / VR 3003 /  
VR 4003 excluded)**

Mobility unit with flanged rollers and fixing brake



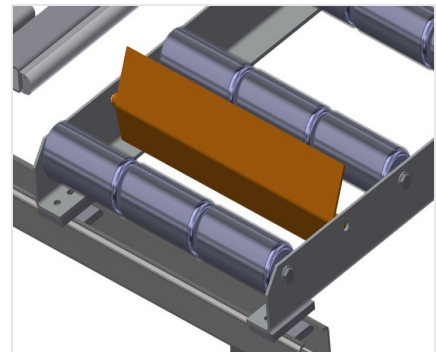
**End rack VR 2000 /  
VR 3000 / VR 4000 /  
VR 2003 / VR 3003 /  
VR 4003**

End rack is mandatory at end of line



**End stop VR 2000 /  
VR 3000 / VR 4000 /  
VR 2000F / VR 3000F /  
VR 4000F / VR 3000DF /  
VR 4000DF**

End stop Rb = 200 mm for VR



**End stop VR 2003 /  
VR 3003 / VR 4003 /  
VR 2003F / VR 3003F /  
VR 4003F / VR 3003DF /  
VR 4003DF**

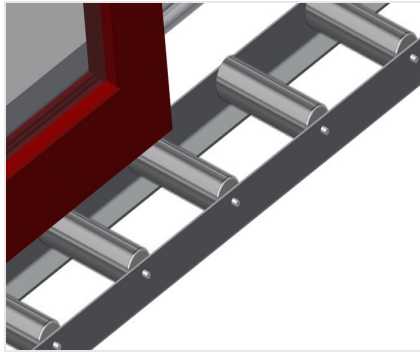
End stop Rb = 3x 120 mm





### Lead-in rollers

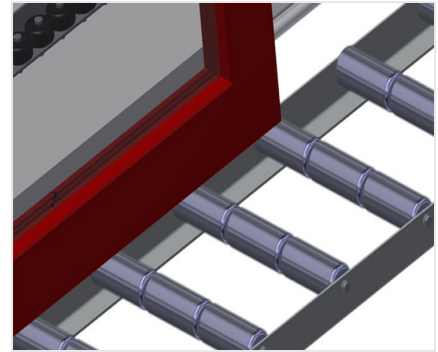
Protective rollers for beginning or end of roller conveyor:  
L&nbsp;=&nbsp;500&nbsp;mm&nbsp;(pair);  
L&nbsp;=&nbsp;250&nbsp;mm (pair)



### Profile protectors

**VR 2000 / VR 3000 /  
VR 4000 / VR 2000F /  
VR 3000F / VR 4000F /  
VR 3000DF / VR 4000DF**

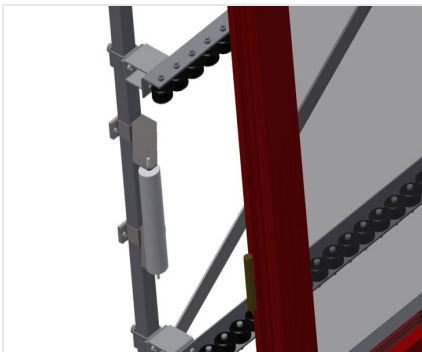
Profile protectors for support rollers 200 mm (Alum./11 x and Alum./16 x). Support rollers covered with protective tubing



### Profile protectors

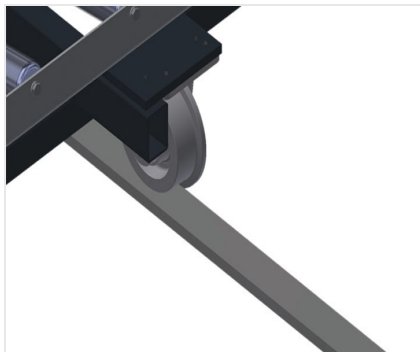
**VR 2003 / VR 3003 /  
VR 4003 / VR 2003F /  
VR 3003F / VR 4003F /  
VR 3003DF / VR 4003DF**

Profile protectors for support rollers 3x 120 mm (Alum./33 x and Alum./48 x). Support rollers covered with protective tubing



### Additional mini-roller conveyors

Additional mini-roller conveyors with rubber rollers top/bottom



**Rails (VR 2000 /  
VR 3000 / VR 4000 /  
VR 2003 / VR 3003 /  
VR 4003 excluded)**

Rails, 2.0 m, left and right





**DIMENSION AND WEIGHT**

**VR 2000 / VR 3000 / VR 4000 / VR 2003 / VR 3003 / VR 4003 / VR 2000 F / VR 3000 F / VR 4000 F / VR 2003 F / VR 3003 F / VR 4003 F / VR 3000 DF / VR 4000 DF / VR 3003 DF / VR 4003 DF**

Length (mm)

Width (mm)

Height (mm)

Support height (mm)

Weight (kg)

**VR 2000 / VR 3000 / VR 4000 / VR 2000 F / VR 3000 F / VR 4000 F / VR 3000 DF / VR 4000 DF**

Support roller width (mm)

**VR 2003 / VR 3003 / VR 4003 / VR 2003 F / VR 3003 F / VR 4003 F / VR 3003 DF / VR 4003 DF**

Support roller divided into three parts (mm)



### CHARACTERISTICS

Load capacity (kg)	<input type="radio"/>
Mini-roller conveyors with rubber rollers, diameter 50 mm	<input type="radio"/>
Basic unit with end rack	<input checked="" type="radio"/>
Lead-in rollers L= 500 mm (pair)	<input type="radio"/>
Lead-in rollers L= 250 mm (pair)	<input type="radio"/>
Additional mini-roller conveyors with rubber rollers top/bottom	<input type="radio"/>
<b>VR 2000 F / VR 3000 F / VR 4000 F / VR 2003 F / VR 3003 F / VR 4003 F / VR 3000 DF / VR 4000 DF / VR 3003 DF / VR 4003 DF</b>	
Vertical roller conveyor on rails with flanged rollers mobile	<input checked="" type="radio"/>
Rail 2,0 m left and right	<input type="radio"/>
<b>VR 3000 DF / VR 4000 DF / VR 3003 DF / VR 4003 DF</b>	
Roller conveyor can be rotated 360°	<input checked="" type="radio"/>
<b>VR 2000 / VR 3000 / VR 4000 / VR 2003 / VR 3003 / VR 4003</b>	
End rack	<input type="radio"/>
<b>VR 2000 / VR 3000 / VR 4000 / VR 2000 F / VR 3000 F / VR 4000 F / VR 3000 DF / VR 4000 DF</b>	
Profile protectors for L= 200 mm	<input type="radio"/>
End stop L= 200 mm	<input type="radio"/>
<b>VR 2003 / VR 3003 / VR 4003 / VR 2003 F / VR 3003 F / VR 4003 F / VR 3003 DF / VR 4003 DF</b>	
Profile protectors for L= 3x120 mm	<input type="radio"/>
End stop L= 3x120 mm	<input type="radio"/>

Included ● Available ○

