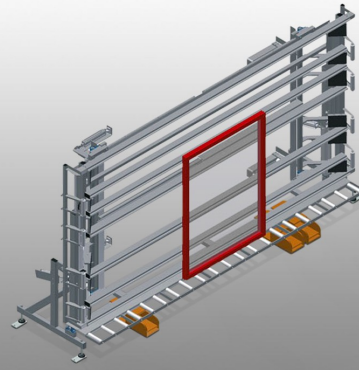




VE

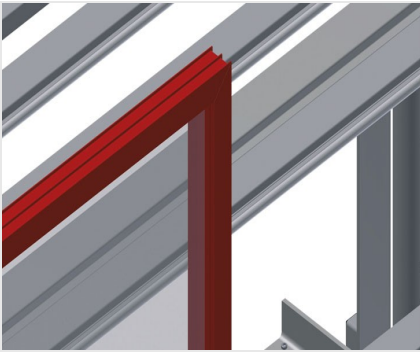
Inspection and glazing
unit



Inspection and glazing unit for glazing and final inspection in individual and serial assembly line production. Quick and precise assembly of windows, doors and elements. Stable steel construction. Easy operation by means of foot switch.

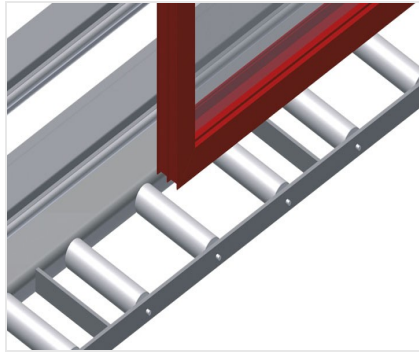
VE 3000 / VE 4000: Precision ensured through parallel clamping bar pressing technique. Height continuously adjustable. Two pressing bars which fold down and can be moved pneumatically and 4-fold compressed air supply.

VE 3000/60: Precision ensured through parallel clamping bar pressing technique with manually operated pressing bars. Pneumatic centring, storage area for tools and 4-fold compressed air supply.



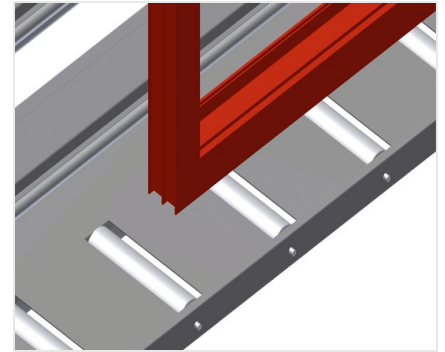
Back support VE 3000 / VE 4000

Rear back support with plastic slide bars



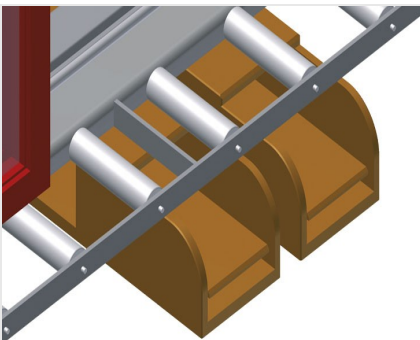
Supports VE 3000

Lower roller conveyor with support rollers, L = 200 mm



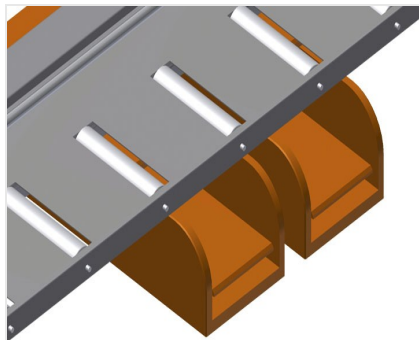
Supports VE 4000

Lower roller conveyor with support rollers, L = 200 mm



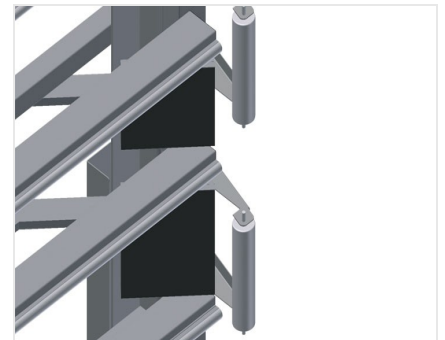
Foot switch VE 3000

All functions are controlled via foot valves



Foot switch VE 4000

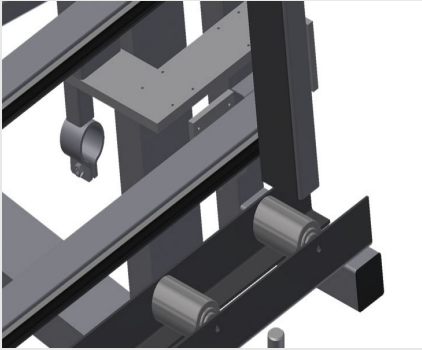
All functions are controlled via foot valves



Pressing bar VE 3000 / VE 4000

Simultaneous, synchronous folding down and moving of the pressing bars ensure a minimum of time is required for opening and closing the press. Allows free pass-through of the window.





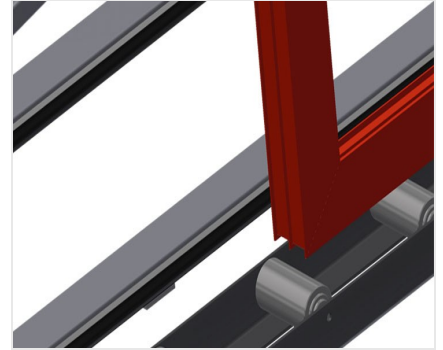
Pressing bar VE 3000/60

Pneumatic centring. Precision ensured through parallel clamping bar pressing technique



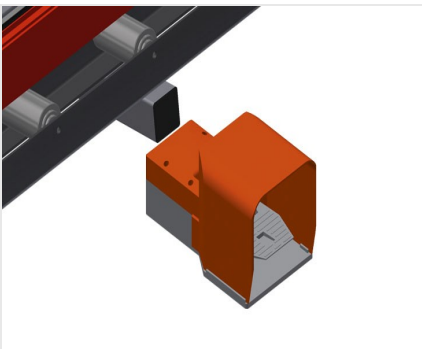
Back support VE 3000/60

Rear back support with plastic slide bars



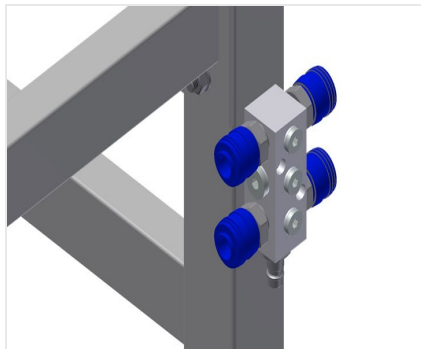
Supports VE 3000/60

Lower roller conveyor with support rollers, L = 120 mm



Foot switch VE 3000/60

All functions are controlled via foot valves



4-fold compressed air connection

4-fold compressed air connection for connecting compressed-air tools



Lead-in rollers, compl., right VE 3000 / VE 4000

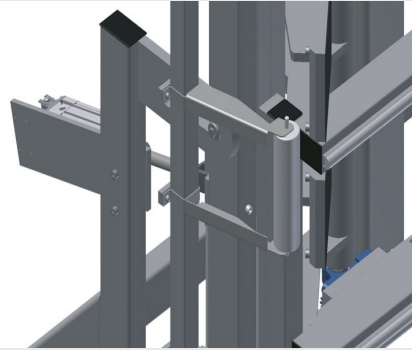
Protective rollers for beginning or end of roller conveyor





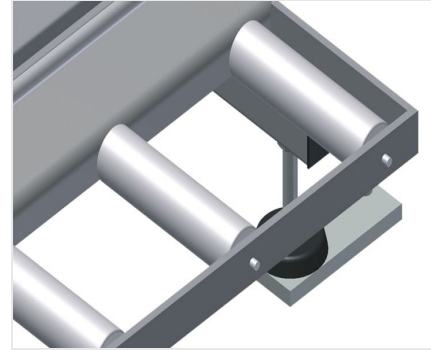
Lead-in rollers, compl., left VE 3000 / VE 4000

Protective rollers for beginning or end of roller conveyor



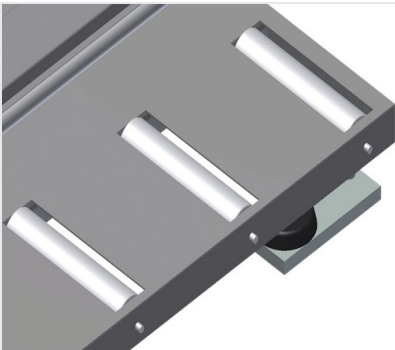
Tilt adjustment of 0° - 8° VE 3000 / VE 4000

Pneumatic tilt adjustment of 0° - 8°



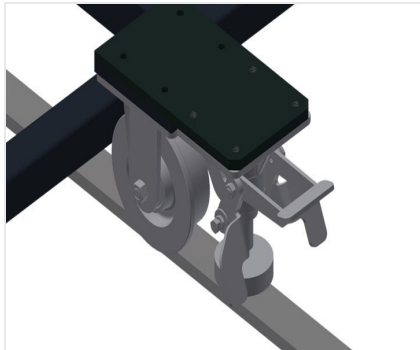
Profile protectors VE 3000

Profile protectors for support rollers 200 (Alum./21 x). Support rollers covered with protective tubing for aluminium elements.



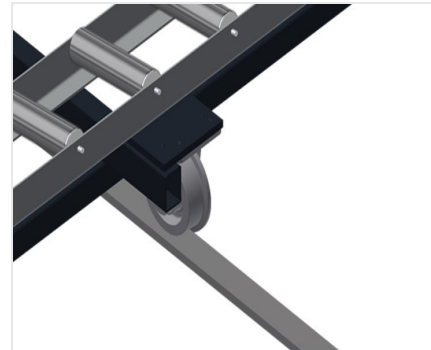
Profile protectors VE 4000

Profile protectors for support rollers 200 (Alum./26 x). Support rollers covered with protective tubing for aluminium elements



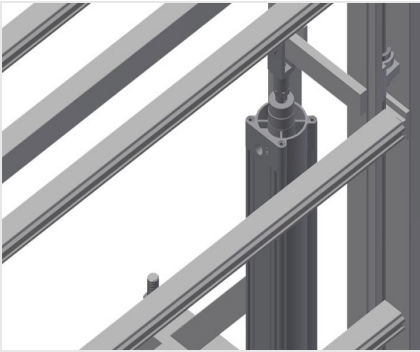
Mobility unit VE 3000 / VE 4000

Mobility unit with flanged rollers and fixing brake



Rails VE 3000 / VE 4000

Rails, 2.0 m, left and right



**Height adjustment
VE 3000/60**

Height continuously adjustable, L = 500
mm





VE / INSPECTION AND GLAZING UNIT

MODELS



DIMENSION AND WEIGHT

VE 3000 / VE 4000 / VE 3000/60

Length (mm)	<input type="radio"/>
Width (mm)	<input type="radio"/>
Height (mm)	<input type="radio"/>
Lower roller conveyor width (mm)	<input type="radio"/>
Weight (kg)	<input type="radio"/>

CHARACTERISTICS

VE 3000 / VE 4000 / VE 3000/60

Load capacity (kg)	<input type="radio"/>
4-fold compressed air supply	<input checked="" type="radio"/>
Operating air pressure (bar)	<input type="radio"/>
Air consumption approx. (l/min)	<input type="radio"/>

VE 3000 / VE 4000

Adjustable height (mm)	<input type="radio"/>
Height continuously adjustable	<input checked="" type="radio"/>
Pneumatic tilt adjustment of 0° - 8°	<input type="radio"/>
Lead-in rollers right, complete L= 2052 mm	<input type="radio"/>
Lead-in rollers left, complete L= 2052 mm	<input type="radio"/>
Profile protectors for L= 200 mm	<input type="radio"/>
Mobility unit	<input type="radio"/>
Rail 2,0 m left and right	<input type="radio"/>

VE 3000/60

Storage area for tools	<input checked="" type="radio"/>
Adjustable height	<input type="radio"/>



Included ● Available ○

