



PWW1000

Profile transport trolleys



Profile trolley for horizontal storage and transportation of profiles

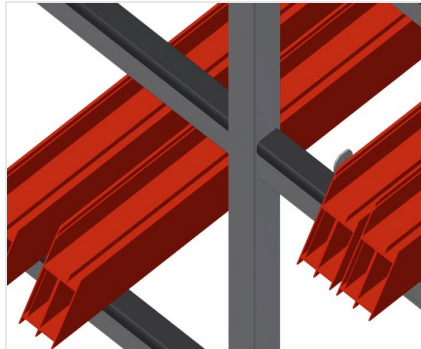
- Stable steel construction
- Horizontal profile transportation
- Support arms are rubber coated
- Profile trolley with profile supports on both sides
- Six supports per upright
- One centre upright
- Four castors, two of which have a fixing brake

Option

- Stable steel construction
- Horizontal profile transportation
- Support arms are rubber coated
- Profile trolley with profile supports on both sides
- Six supports per upright
- One centre upright
- Four castors, two of which have a fixing brake
- Individual centre upright

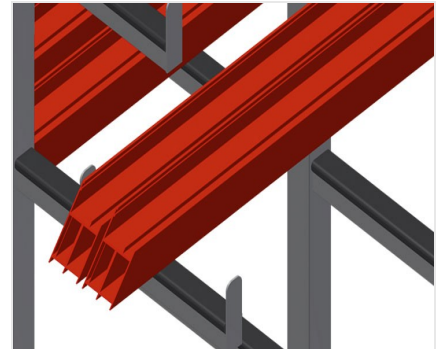


Profile transport trolley PWW 1000



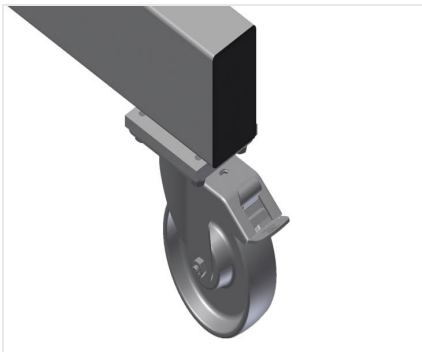
Easy loading and unloading

Well-organised storage provides quick access



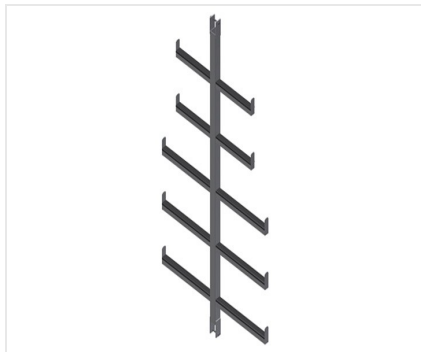
Support arms

Support arms are rubber coated. Adjustable centre upright



Castors

Four castors, two of which have a fixing brake, provide a high degree of mobility and easy, safe handling



Individual centre upright

Additional centre uprights





PWW 1000 / PROFILE TRANSPORT TROLLEYS

- Length 1,625 mm
- Width 900 mm
- Height 1,960 mm
- Eleven shelves
- Clearance 260 mm
- Lower shelf width 420 mm
- Upper shelf width 300 mm
- Weight 60 kg
- Load 350 kg
- Roller diameter 125 mm