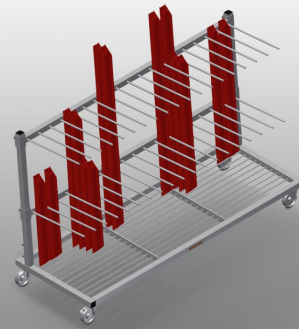




PWS2000

Profile transport trolleys

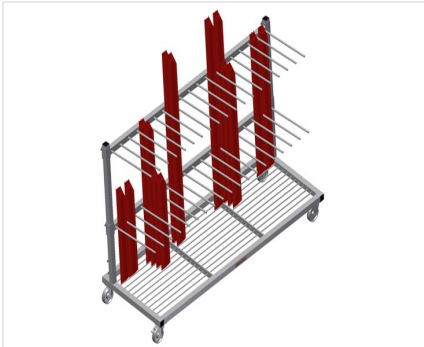


Profile trolley for vertical storage and transportation of profiles

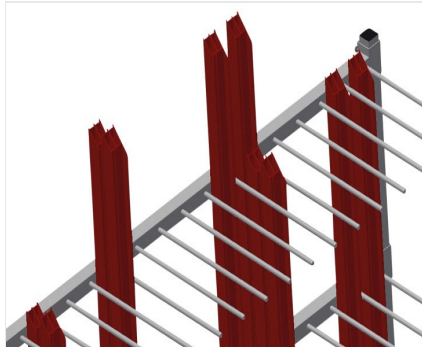
- Stable steel construction
- Vertical profile transportation
- Profile trolley with loading on one side
- Easy loading and unloading
- Sufficient for 60 – 80 profile bars
- Compartment dividers height is adjustable
- Supporting surface with bar grid floor
- Four castors, two of which have a fixing brake

Options

- Plastic protector for PWS 2000



Profile transport trolley PWS 2000



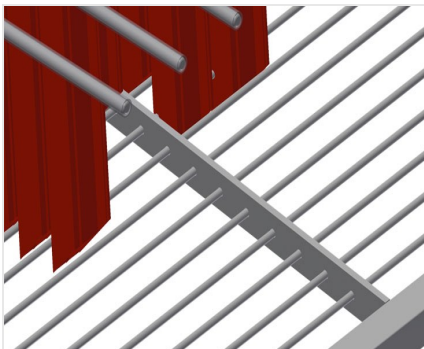
Easy loading and unloading

Profile trolley with loading on one side



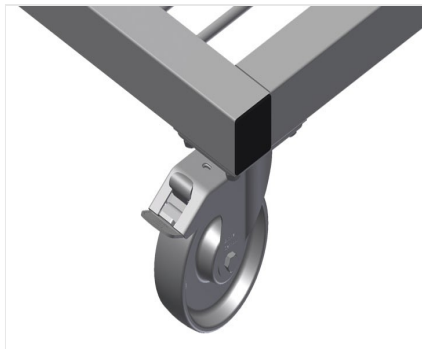
Compartment dividers

Compartment divider height is adjustable,
Compartment width 100 mm, Compartment
depth 540 mm



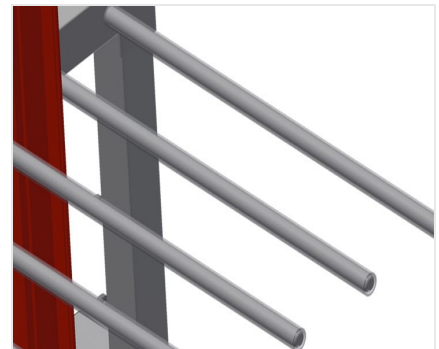
Supporting surface

Supporting surface with bar grid floor



Casters

Four casters, two of which have a fixing
brake, provide a high degree of mobility
and easy, safe handling



Plastic protector

All supporting surfaces have a non-slip PVC
cladding which protects surfaces from
damage during storage





PWS 2000 / PROFILE TRANSPORT TROLLEYS

- Length 2,230 mm
- Width 800 mm
- Height 1,360 mm
- Two compartment dividers
- 18 compartments
- Roller diameter 125 mm
- Compartment width 100 mm
- Compartment depth 540 mm
- Unit height 1,150 mm
- Weight 105 kg
- Load 350 kg