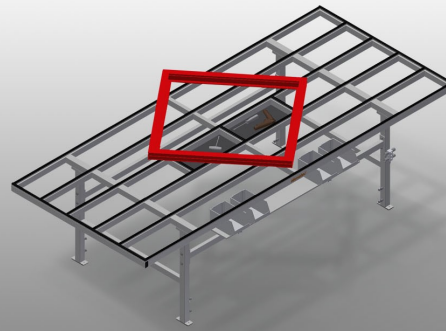




MT3000

Horizontal assembly
tables



Assembly table for all work tasks on frames and sashes

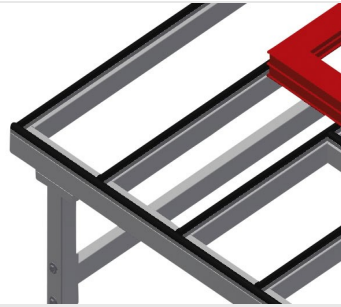
- Stable steel construction
- Assembly table for all work tasks on frames and sashes
- Table supporting surface with plastic slide bars
- Storage tray for setting down tools and accessories
- Adjustable height
- Practical storage area under the table surface
- Four PVC containers for small accessories, hardware and screws
- 4-fold compressed air supply
- Simple installation with a modular system design

Options

- Also available with brush strips on request
- Also available with felt strips on request (for wooden profiles)
- Also available with rubber strips on request (for aluminium profiles)
- Double two-pin grounded socket
- Tool rack
- Maintenance unit
- Castors, compl.
- Spiral hose

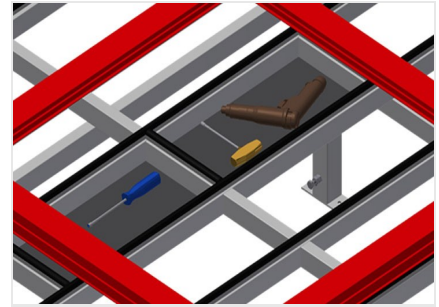


Assembly table MT 3000



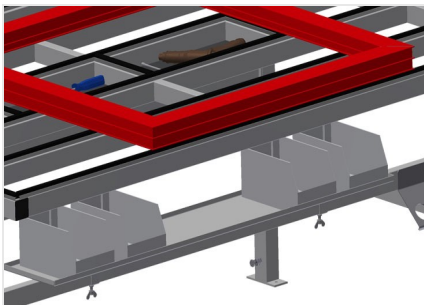
Supporting surfaces

Supporting surfaces with plastic slide bars



Storage tray

Storage tray for setting down tools and accessories



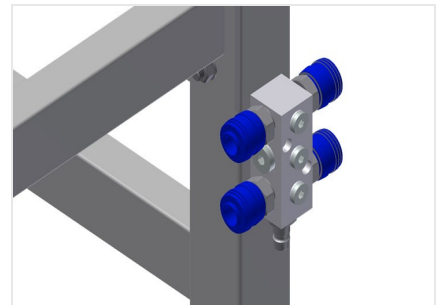
Storage area

Storage area with four plastic trays for small accessories, hardware and screws



Height adjustment

Adjustable height; working height can be set to 850 - 1,000 mm by means of adjustable feet



4-fold compressed air connection

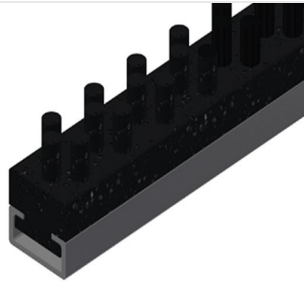
4-fold compressed air connection for connecting compressed-air tools





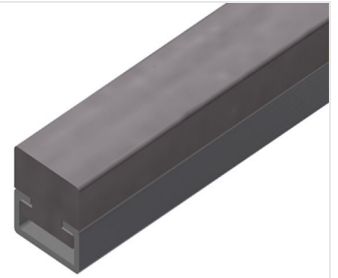
Casters, cmpl.

Two casters with brake and two fixed rollers provide mobility in all directions



Brush strip

Supporting surfaces with brush strip



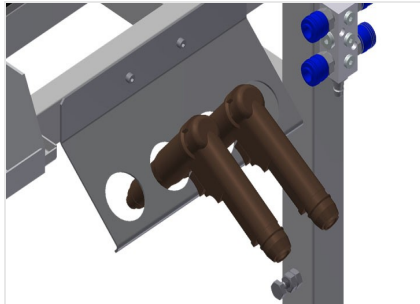
Felt strip

Supporting surfaces with felt profile strip



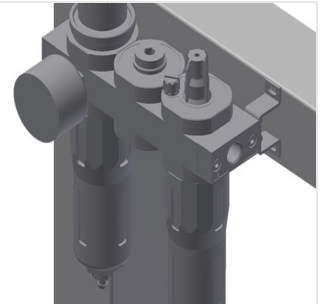
Rubber strips

Supporting surfaces with rubber-knob profile



Tool rack

Tool rack for pneumatic or electrical tools



Maintenance unit

Maintenance unit for compressed-air tools





Double two-pin grounded socket



Spiral hose

Spiral hose L = 2.5 m with kink protection, coupling and connection for compressed-air tools



MT 3000 / HORIZONTAL ASSEMBLY TABLES

- Length 3,000 mm
- Height 850 - 1,000 mm
- Width 1,300 mm
- Weight 120 kg