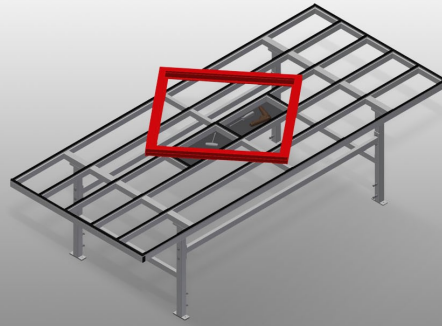




### MST3000

Horizontal assembly  
tables

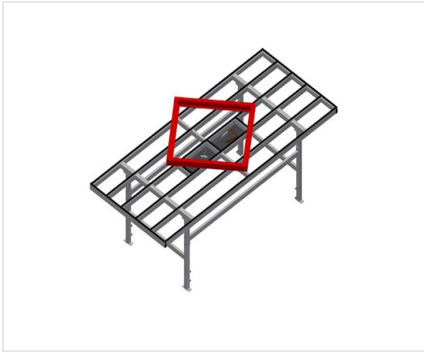


Assembly table expandable for all work tasks on frames and sashes

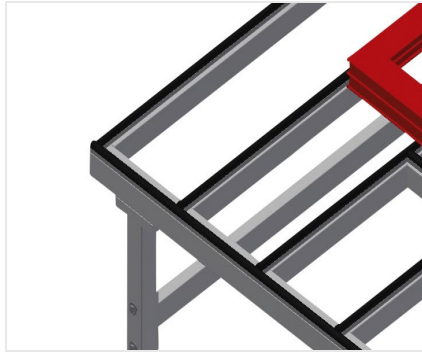
- Stable steel construction
- Assembly table for all work tasks on frames and sashes
- Horizontal frame transportation
- Storage tray for setting down tools and accessories
- Adjustable height
- Table supporting surface with plastic slide bars
- Simple installation with a modular system design

#### Options

- Also available with brush strips on request
- Also available with felt strips on request (for wooden profiles)
- Also available with rubber strips on request (for aluminium profiles)
- 4-fold compressed air supply



### Sliding table MST 3000



### Supporting surfaces

Supporting surfaces with plastic slide bars



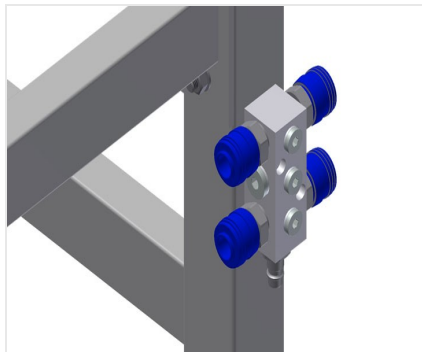
### Storage tray

Storage tray for setting down tools and accessories



### Height adjustment

Adjustable height; working height can be set to 850 - 1,000 mm by means of adjustable feet



### 4-fold compressed air connection

4-fold compressed air connection for connecting compressed-air tools



### Casters, cmpl.

Two casters with brake and two fixed rollers provide mobility in all directions





### Brush strip

Supporting surfaces with brush strip



### Felt strip

Supporting surfaces with felt profile strip



### Rubber strips

Supporting surfaces with rubber-knob profile



**MST 3000 / HORIZONTAL ASSEMBLY TABLES**

---

- Length 3,000 mm
- Height 850 - 1,000 mm
- Width 1,300 mm
- Weight 110 kg