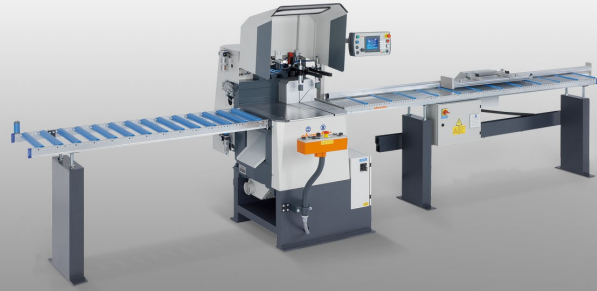




MGS142/11

Mitre saws



- The ideal mitre saw for industrial series production
- Safety hood opens automatically
- Equipped with exhaust connectors on the workpiece fences as standard
- Pulsed coolant system
- Profile feed from the left and material stop on the right
- Equipped with saw blade as standard

Options

- Hydro-pneumatic saw feed
- Horizontal material clamping units
- Extraction system
- Length stop and measuring systems
- Intermediate angle setting by hand wheel and E 111 digital display (not for MGS 142/31)
- Roller conveyors
- Saw blades
- High performance cutting fluid
- Motor with 5.5 kW power output

Mitre saw MGS 142/21

See MGS 142 /11, however:

- Profile feed from the right and stop on the left

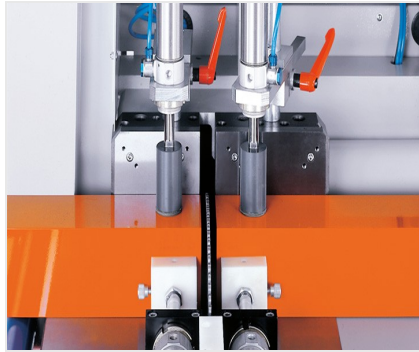
Mitre saw MGS 142/31

See MGS 142/11, however:

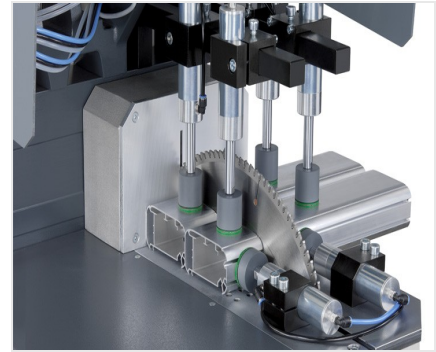
- With kerf spreading to achieve the very best cutting quality. No re-cutting by the saw blade
- Tilting range 90° fix
- Length 910 mm, depth 1,335 mm, height 1,840 mm, weight 580 kg



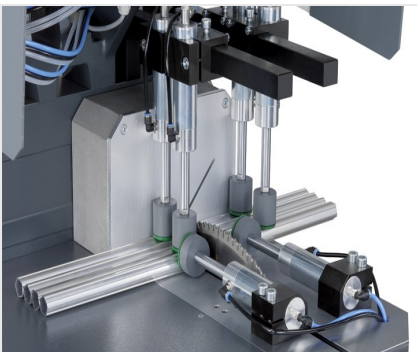
Mitre saw MGS 142/31



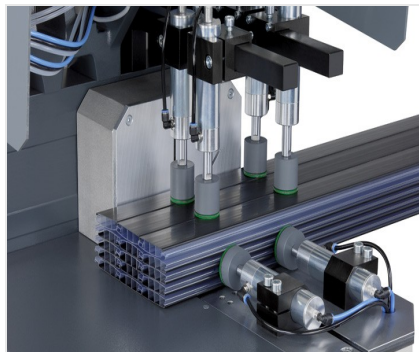
Troncatrice per tagli obliqui MGS 142/31



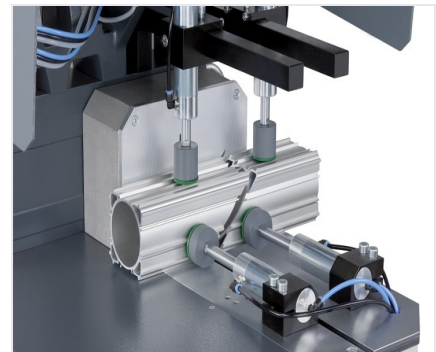
Cutting diagram MGS 142/11



Cutting diagram MGS 142/11



Cutting diagram MGS 142/11



Cutting diagram MGS 142/11





Mitre saw MGS 142

Cutting diagram MGS 142



MGS 142/11 / MITRE SAWS

- Tilting range pneumatically from 90° to 45° (optional intermediate angle)
- For cutting range, see cutting diagram
- Saw blade diameter 500 mm
- Saw blade speed 2,800 rpm
- Power supply 230/400 V, 3~, 50 Hz
- Power output 4 kW
- Compressed air supply 7 bar
- Air consumption per working cycle 20 l without spraying, 32 l with spraying
- Length 910 mm, depth 1,335 mm, height 1,840 mm, weight 580 kg