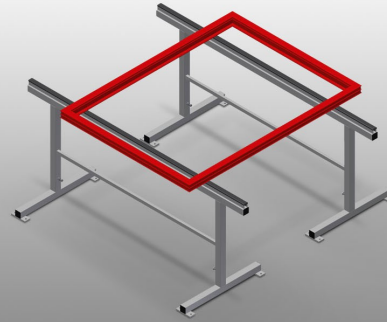


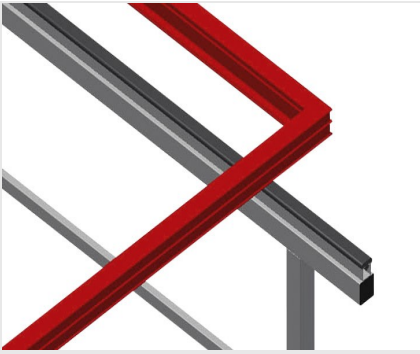


**MB**

Assembly stands



Assembly stands for working on large window elements. Stable steel construction. Assembly stand 2.0 m long. Simple installation with a modular system design. Rubber profile supporting surface. Set of assembly stands (1 pair). Adjustable height.



### Supporting surfaces

Supporting surfaces with rubber profile



### Height adjustment

Adjustable height 850 - 1,000 mm





### MODELS

MB 2000



### DIMENSION AND WEIGHT

|             |                       |
|-------------|-----------------------|
| Length (mm) | <input type="radio"/> |
| Width (mm)  | <input type="radio"/> |
| Height (mm) | <input type="radio"/> |
| Weight (kg) | <input type="radio"/> |

### SUPPORTING SURFACE

|                                   |                                  |
|-----------------------------------|----------------------------------|
| Assembly stand length (m)         | <input type="radio"/>            |
| Set of assembly stands: 1 pair    | <input checked="" type="radio"/> |
| Rubber profile supporting surface | <input checked="" type="radio"/> |

Included ● Available ○