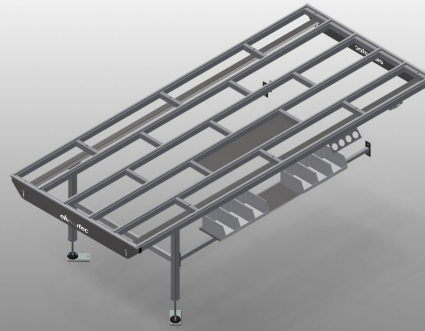




HT3000 E

Horizontal assembly
tables

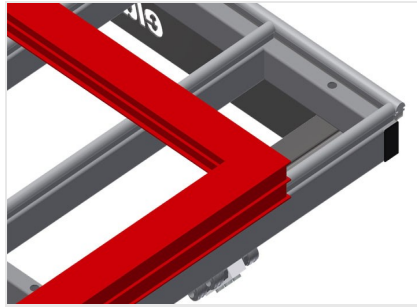


Modular work table for a production line (basic module)

- Stable steel construction
- Universal system of work tables for lines with a continuous production flow
- Modular system – basic module + additional module
- Add-on elements for individualised expansion
- Additional modules are easy to install
- Versatile work table for all applications: for example, as an individual table in the production flow, as an in-line workstation for assembly work, as a work table for gasket insertion, for the post-processing of special-order production items or as a buffer zone
- Table supporting surface with plastic slide bars
- Adjustable height
- Simple installation with a modular system design

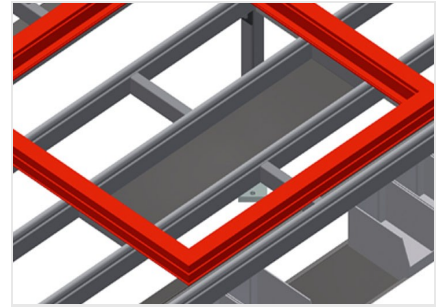


Horizontal table - Expansion HT 3000 E



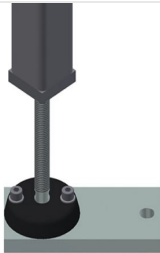
Supporting surfaces

Supporting surfaces with plastic slide bars



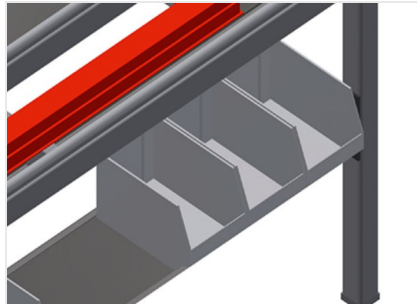
Storage tray

Storage tray for setting down tools and accessories



Height adjustment

Adjustable height, working height can be set to 850 - 1,000 mm by means of adjustable feet



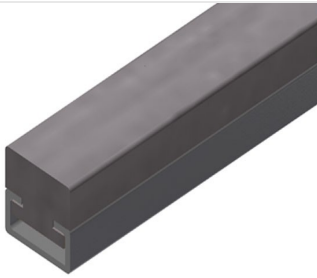
Storage area

Storage area with six plastic trays for small accessories, hardware and screws



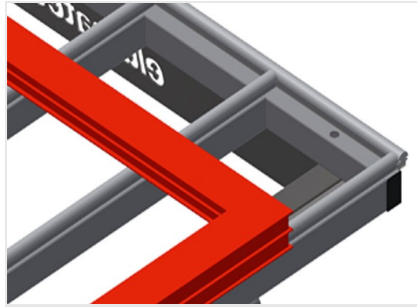
Brush strip

Supporting surfaces with brush strip



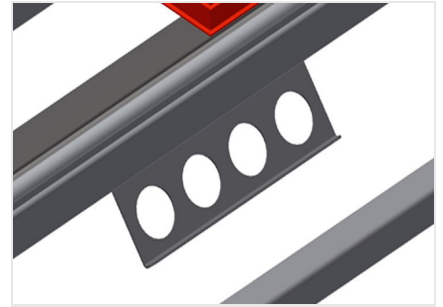
Felt strip

Supporting surfaces with felt profile strip



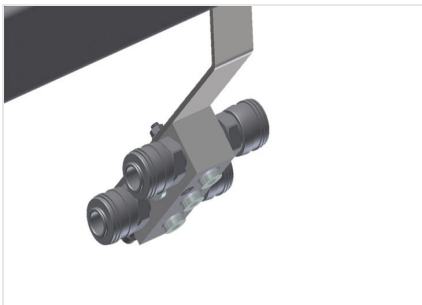
Rubber strips

Supporting surfaces with rubber-knob profile for aluminium elements



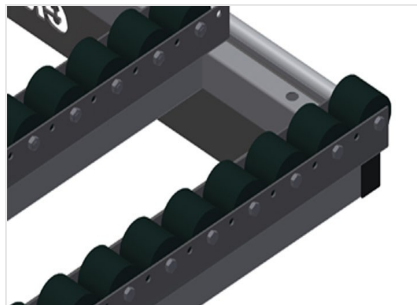
Tool rack

Tool rack for pneumatic or electrical tools



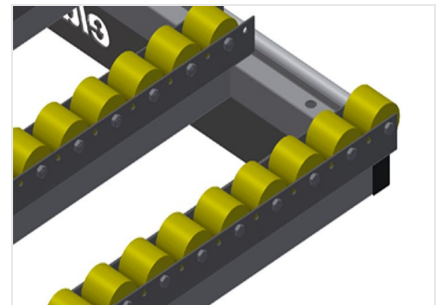
4-fold compressed air connection

4-fold compressed air connection for connecting compressed-air tools



Roller support, cmpl. for HT 3000/PVC

Hard plastic rollers with polyamide coating, on plain bearings, load per roller: 60 kg, convenient for transport and handling of PVC elements



Roller support, cmpl., for HT 3000/Alum.

Plastic rollers with polyurethane coating, on ball bearings, load per roller: 40 kg, convenient for transport and handling of aluminium elements





End rack for HT 3000



End strip with knob profile



Pneumatic lifting unit

L = 3000 mm for HT 3000



HT 3000 E / HORIZONTAL ASSEMBLY TABLES

- Length 3,000 mm
- Height 850 - 1,000 mm
- Width 1,300 mm
- Weight 100 kg