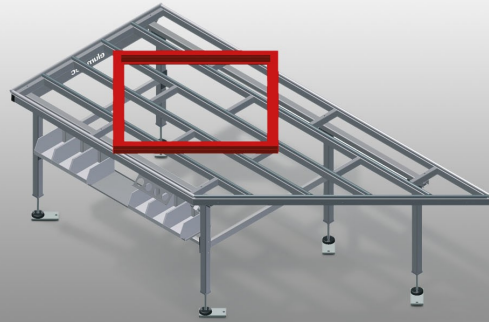




### HT2045 L

Horizontal assembly  
tables



Horizontal table for all work tasks on frames and sashes

- Stable steel construction
- Angled work table; can be used as a pass-through in the production line or as a buffer zone
- Assembly table for all work tasks on frames and sashes
- Table supporting surface with plastic slide bars
- Storage tray for setting down tools and accessories
- Adjustable height
- Simple installation with a modular system design

#### Options

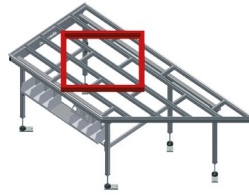
- Also available with brush strips on request
- Also available with felt strips on request (for wooden elements)
- Also available with rubber strips on request (for aluminium elements)
- Roller support
- Tool rack
- 4-fold compressed air supply
- Storage area with six plastic trays
- Parallelogram support, compl., for 90°
- Triangular support, compl., for in-line use

#### HORIZONTAL TABLE - RIGHT TABLE, 45° HT 2045 R

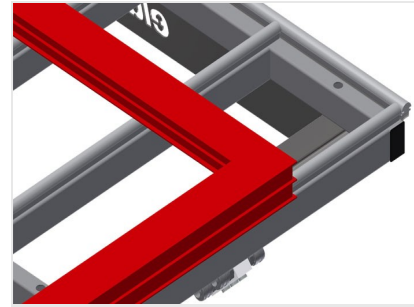
See Left table, 45° HT 2045 L



**Horizontal table - Right table, 45° HT 2045**

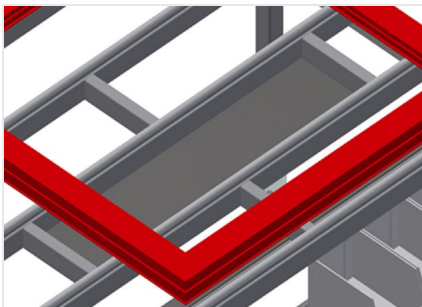


**Horizontal table - Left table, 45° HT 2045**



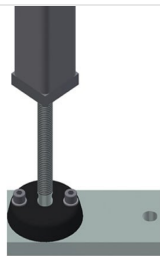
### Supporting surfaces

Supporting surfaces with plastic slide bars



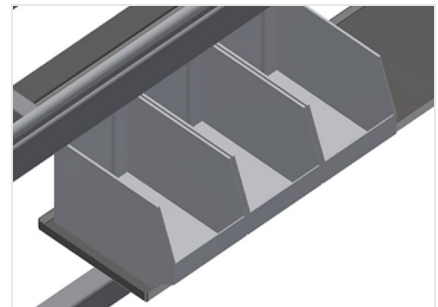
### Storage tray

Storage tray for setting down tools and accessories



### Height adjustment

Adjustable height, working height can be set to 850 - 1,000 mm by means of adjustable feet



### Storage area

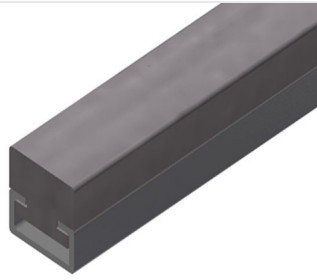
Storage area with six plastic trays for small accessories, hardware and screws





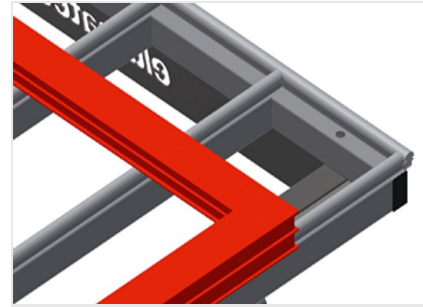
### Brush strip

Supporting surfaces with brush strip



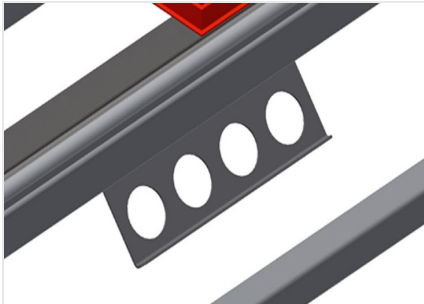
### Felt strip

Supporting surfaces with felt profile strip



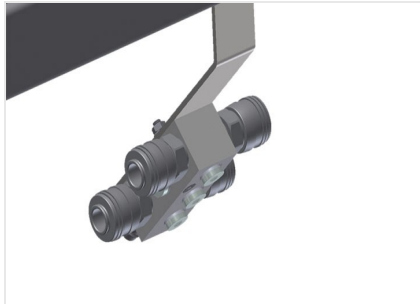
### Rubber strips

Supporting surfaces with rubber-knob profile for aluminium elements



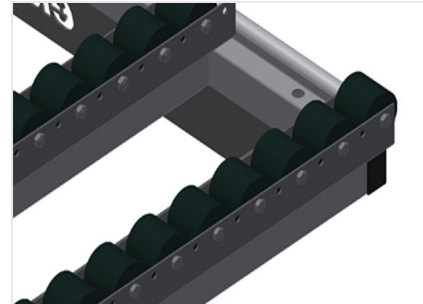
### Tool rack

Tool rack for pneumatic or electrical tools



### 4-fold compressed air connection

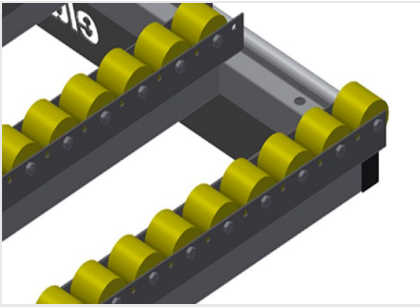
4-fold compressed air connection for connecting compressed-air tools



### Roller support, cmpl., for HT 2045/PVC

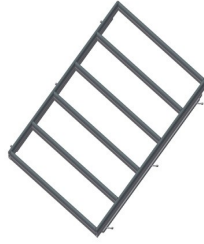
Hard plastic rollers with polyamide coating, on plain bearings, load per roller: 60 kg, convenient for transport and handling of PVC elements





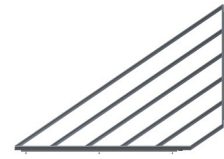
### **Roller support, cmpl., for HT 2045/Alum.**

Plastic rollers with polyurethane coating, on ball bearings, load per roller: 40 kg, convenient for transport and handling of aluminium elements



### **Parallelogram support, cmpl., for 90°**

Table supporting surface brush strip, Table supporting surface felt profile strip, Table supporting surface rubber-knob profile, Roller support, cmpl. for PVC, Rubber roller support cmpl. for Alum.



### **Triangle support, cmpl., for in-line use**

Supporting surface brush strip, Supporting surface felt profilestrip, Supporting surface rubber-knob profile, Roller support, cmpl. for PVC, Rubber roller support cmpl. for Alum.





**HT 2045 L / HORIZONTAL ASSEMBLY TABLES**

---

- Length 2,850 mm
- Height 850 - 1,000 mm
- Width 1,300 mm
- Weight 100 kg