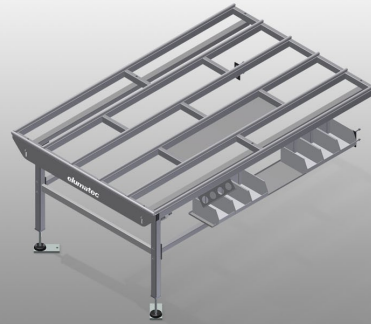




### **HT2000 E**

Horizontal assembly  
tables

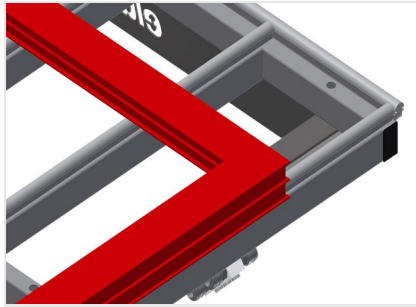


Modular work table for a production line (basic module)

- Stable steel construction
- Universal system of work tables for lines with a continuous production flow
- Modular system – basic module + additional module
- Add-on elements for individualised expansion
- Additional modules are easy to install
- Versatile work table for all applications: for example, as an individual table in the production flow, as an in-line workstation for assembly work, as a work table for gasket insertion, for the post-processing of special-order production items or as a buffer zone
- Table supporting surface with plastic slide bars
- Adjustable height
- Simple installation with a modular system design

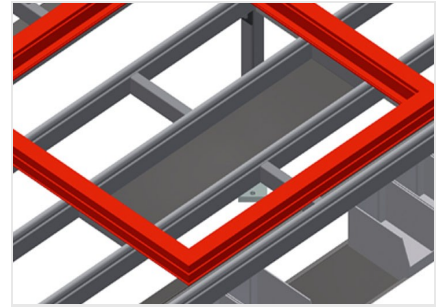


### Horizontal table - Expansion HT 2000 E



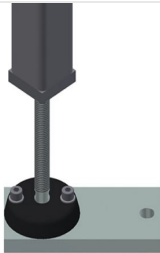
### Supporting surfaces

Supporting surfaces with plastic slide bars



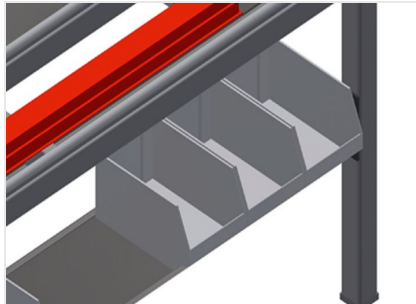
### Storage tray

Storage tray for setting down tools and accessories



### Height adjustment

Adjustable height, working height can be set to 850 - 1,000 mm by means of adjustable feet



### Storage area

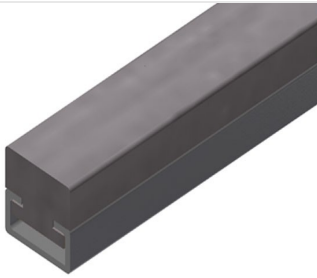
Storage area with six plastic trays for small accessories, hardware and screws



### Brush strip

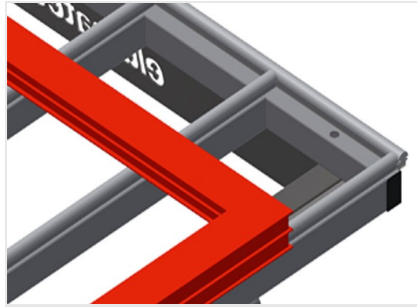
Supporting surfaces with brush strip





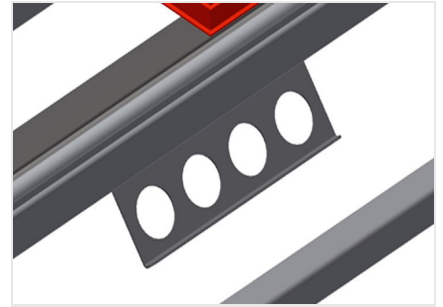
### Felt strip

Supporting surfaces with felt profile strip



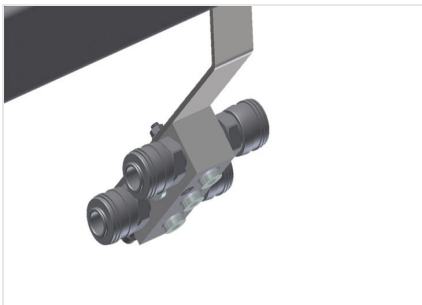
### Rubber strips

Supporting surfaces with rubber-knob profile for aluminium elements



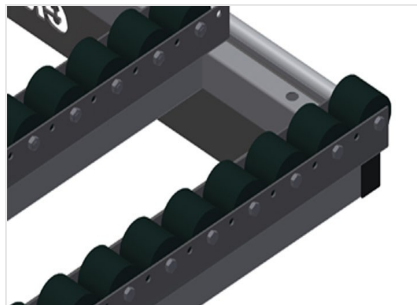
### Tool rack

Tool rack for pneumatic or electrical tools



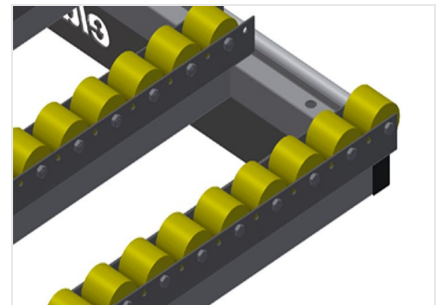
### 4-fold compressed air connection

4-fold compressed air connection for connecting compressed-air tools



### Roller support, compl., for HT 2000/PVC

Hard plastic rollers with polyamide coating, on plain bearings, load per roller: 60 kg, convenient for transport and handling of PVC elements



### Roller support, compl., for HT 2000/Alum.

Plastic rollers with polyurethane coating, on ball bearings, load per roller: 40 kg, convenient for transport and handling of aluminium elements





### End rack

End rack for HT 2000



### End strip with knob profile



### Fold-up pass-through section for HT

Roller support, compl., for fold-up pass-through section/PVC. Rubber roller support compl. for fold-up pass-through section/Alum.



**HT 2000 E / HORIZONTAL ASSEMBLY TABLES**

---

- Length 2,000 mm
- Height 850 - 1,000 mm
- Width 1,300 mm
- Weight 80 kg