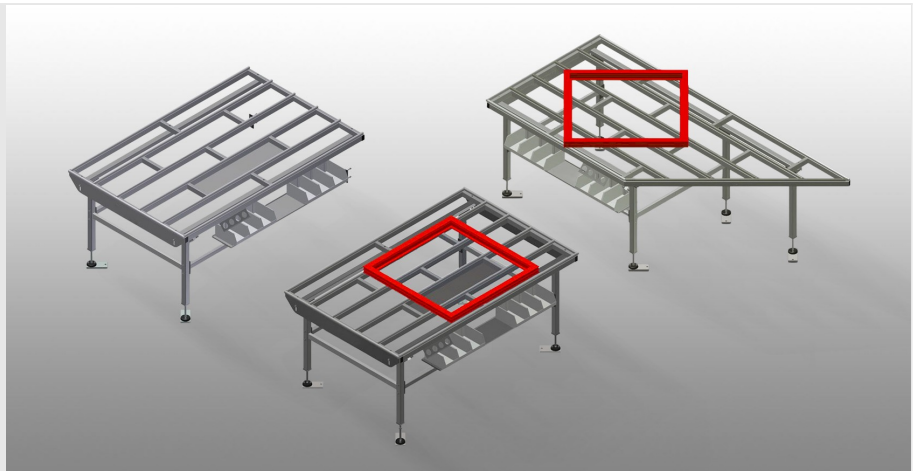




HT

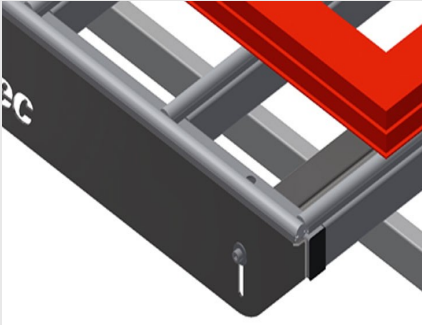
Horizontal assembly
tables



HT 1000 / HT 2000 / HT 3000: Horizontal table for all work tasks on frames and sashes. Stable steel construction. Table supporting surface with plastic slide bars. Storage tray for setting down tools and accessories. Adjustable height. Simple installation with a modular system design.

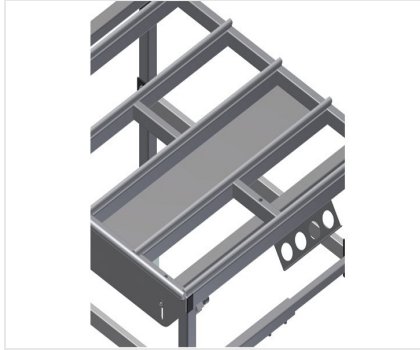
HT 1000E / HT 2000E / HT 3000E: Modular work table for a production line (basic module). Stable steel construction. Universal system of work tables for lines with a continuous production flow. Modular system: basic module + additional module. Add-on elements for individualised expansion. Additional modules are easy to install. Versatile work table for all applications: for example, as an individual table in the production flow, as an in-line workstation for assembly work, as a work table for gasket insertion, for the post-processing of special-order production items or as a buffer zone. Table supporting surface with plastic slide bars. Adjustable height. Simple installation with a modular system design.

HT 2045L / HT 2045R: Horizontal table for all work tasks on frames and sashes. Stable steel construction. Angled work table; can be used as a pass-through in the production line or as a buffer zone. Assembly table for all work tasks on frames and sashes. Table supporting surface with plastic slide bars. Storage tray for setting down tools and accessories. Adjustable height. Simple installation with a modular system design.



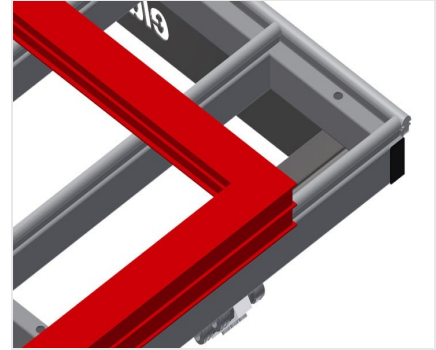
Supporting surfaces HT 1000 / HT 1000 E

Supporting surfaces with plastic slide bars



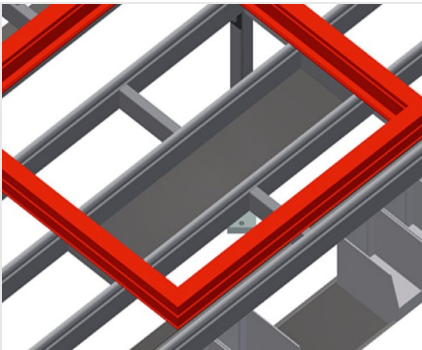
Storage tray HT 1000 / HT 1000 E

Storage tray for setting down tools and accessories



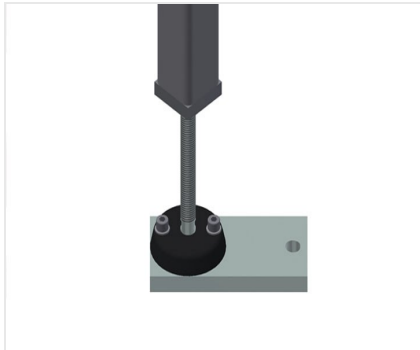
Supporting surfaces HT 2000 / HT 2000 E / HT 3000 / HT 3000 E / HT 2045 L / HT 2045 R

Supporting surfaces with plastic slide bars



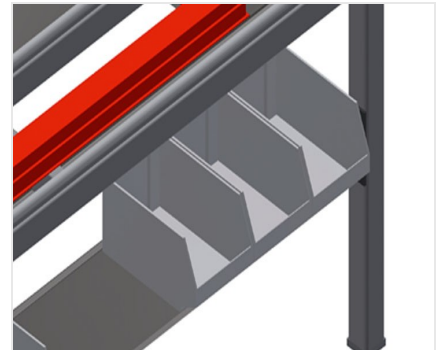
Storage tray HT 2000 / HT 2000 E / HT 3000 / HT 3000 E / HT 2045 L / HT 2045 R

Storage tray for setting down tools and accessories



Height adjustment

Adjustable height, working height can be set to 850 - 1,000 mm by means of adjustable feet



Storage area HT 2000 / HT 2000 E / HT 3000 / HT 3000 E / HT 2045 L / HT 2045 R

Storage area with six plastic trays for small accessories, hardware and screws





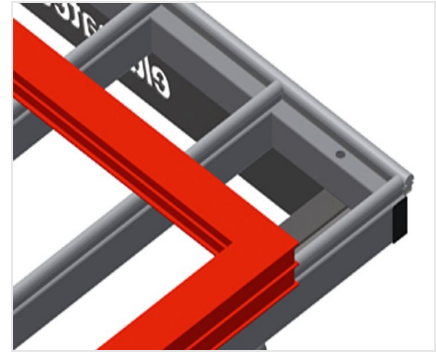
Brush strip

Supporting surfaces with brush strip



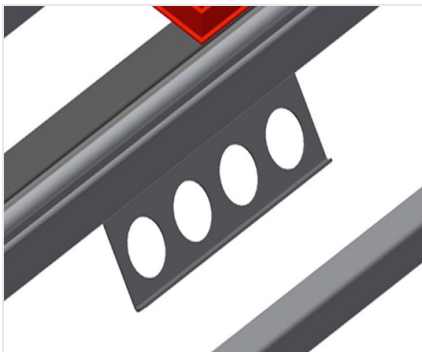
Felt strip

Supporting surfaces with felt profile strip



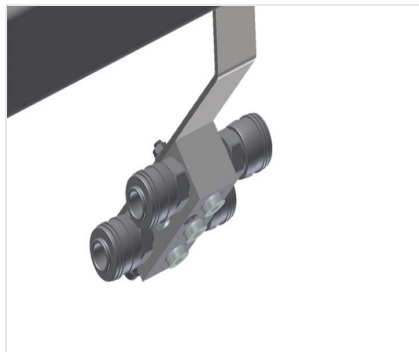
Rubber strips

Supporting surfaces with rubber-knob profile for aluminium elements



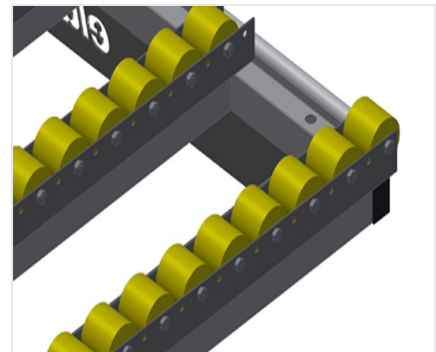
Tool rack

Tool rack for pneumatic or electrical tools



4-fold compressed air connection

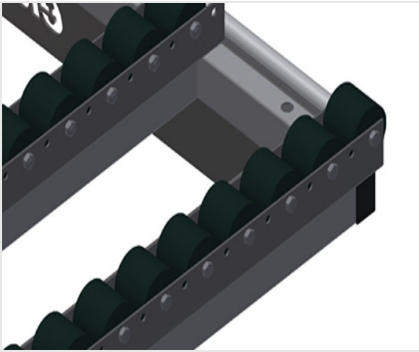
4-fold compressed air connection for connecting compressed-air tools



Roller support, cmpl., for Alum.

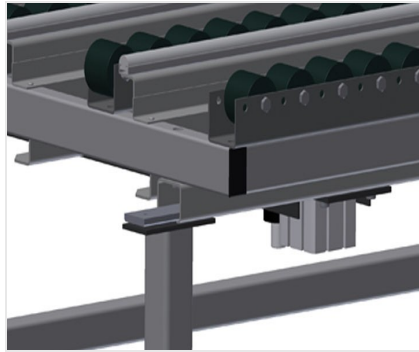
Plastic rollers with polyurethane coating, on ball bearings, load per roller: 40 kg, convenient for transport and handling of aluminium elements





Roller support, compl., for PVC

Hard plastic rollers with polyamide coating, on plain bearings, load per roller: 60 kg, convenient for transport and handling of PVC elements



Pneumatic lifting unit HT 1000

Lifting unit L = 1,000 mm



End rack HT 1000 E / HT 2000 E / HT 3000 E

End rack for HT



End strip with knob profile HT 1000 E / HT 2000 E / HT 3000 E

End strip with knob profile



Pneumatic lifting unit HT 2000

Lifting unit L = 2,000 mm



Fold-up pass-through section HT 1000 E / HT 2000 E / HT 3000 E

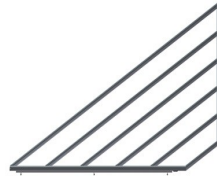
Roller support, compl., for fold-up pass-through section/PVC. Rubber roller support compl. for fold-up pass-through section/Alum.





Parallelogram support, cmpl., for 90° HT 2045 R

Table supporting surface brush strip, Table supporting surface felt profile strip, Table supporting surface rubber-knob profile, Roller support, cmpl. for PVC, Rubber roller support cmpl. for Alum.



Triangle support, cmpl., for in-line use HT 2045 R

Supporting surface brush strip, Supporting surface felt profilestrip, Supporting surface rubber-knob profile, Roller support, cmpl. for PVC, Rubber roller support cmpl. for Alum.



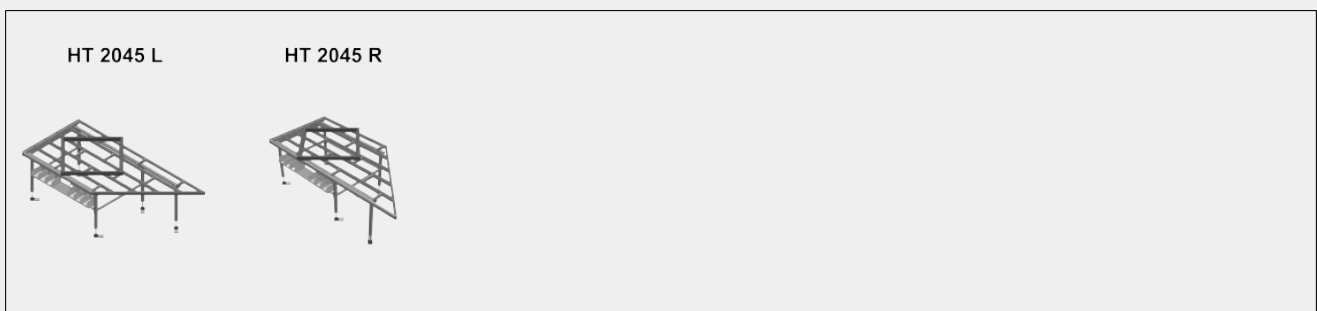
Pneumatic lifting unit HT 3000 E

Lifting unit L = 3,000 mm



HT / HORIZONTAL ASSEMBLY TABLES

MODELS



DIMENSION AND WEIGHT

HT 1000 / HT 2000 / HT 3000 / HT 1000 E / HT 2000 E / HT 3000 E / HT 2045 L / HT 2045 R

Length (mm)	<input type="radio"/>
Width (mm)	<input type="radio"/>
Height (mm)	<input type="radio"/>
Weight (kg)	<input type="radio"/>

SUPPORTING SURFACE

HT 1000 / HT 2000 / HT 3000 / HT 1000 E / HT 2000 E / HT 3000 E / HT 2045 L / HT 2045 R

Adjustable height (mm)	<input checked="" type="radio"/>
Table supporting surface with plastic slide bars	<input type="radio"/>
Table brush strip supporting surface	<input type="radio"/>
Table felt profile strip supporting surface	<input type="radio"/>
Table rubber knob profile	<input type="radio"/>
Roller support	<input type="radio"/>

HT 1000 / HT 2000 / HT 3000 / HT 2045 L / HT 2045 R

Storage tray for setting down tools and accessories	<input checked="" type="radio"/>
---	----------------------------------



SUPPORTING SURFACE

HT 1000 / HT 2000 / HT 3000 E

Lifting unit

HT 1000 E / HT 2000 E / HT 3000 E

Tool holder

Roller support for fold-up walk-through section

Fold-up walk-through section

HT 2045 R

Parallelogram support for 90°

Table brush strip supporting surface for parallelogram support

Table felt profile strip supporting surface for parallelogram support

Table rubber knob profile for parallelogram support

Roller support for parallelogram support 90°

Triangle support

Table brush strip supporting surface for triangle support

Table felt profile strip supporting surface for triangle support

Table rubber knob profile for triangle support

Roller support surface for triangle support

CHARACTERISTICS

HT 1000 / HT 2000 / HT 3000 / HT 20245 L / HT 2045 R

Tool holder

HT 1000 E / HT 2000 E / HT 3000 E

End strip with knob profile

End rack

HT 2000 / HT 3000 / HT 2000 E / HT 3000 E / HT 20245 L / HT 2045 R

Storage tray

HT 1000 / HT 2000 / HT 3000 / HT 1000 E / HT 2000 E / HT 3000 E / HT 20245 L / HT 2045 R

4-fold compressed air supply

Included ● Available ○