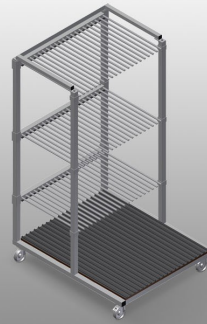




GFW1200

Glass
compartment/glazing
bead trolleys



- Stable steel construction
- Ideal for sorting glass
- Hardwood supporting surface with felt
- Compartment dividers for 20 sheets of glass
- Compartment dividers height is adjustable
- Four castors, two of which have a fixing brake

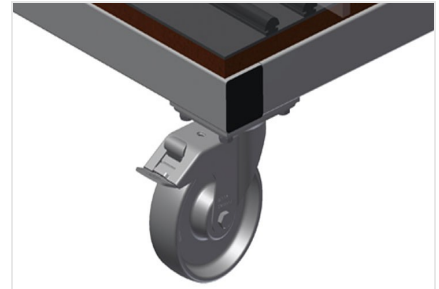


Glass transport trolley GFW 1200



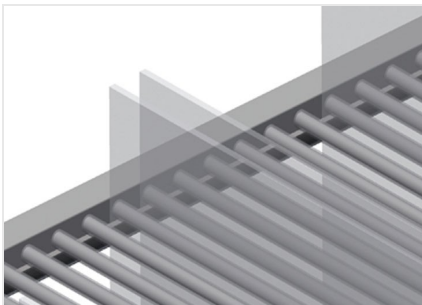
Glass transport trolley GFW 1200

With glass panes



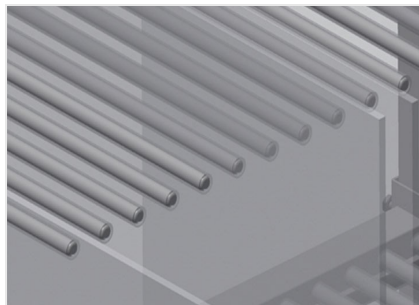
Castors

Four castors, two of which have a fixing brake, provide a high degree of mobility and easy, safe handling



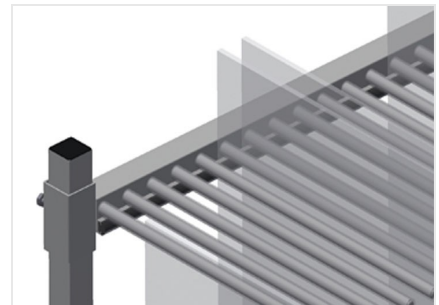
Compartment divider with plastic protection

Compartment dividers height is adjustable. All supporting surfaces have a non-slip PVC cladding which protects sheets of glass from damage during storage



Easy loading and unloading

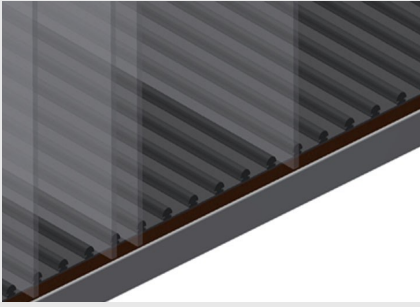
Well-organised storage provides quick access



Rear support with rubber strips

Rear supporting surfaces equipped with rubber strips protect sheets of glass from damage





Wooden supporting surface with felt

Lower supporting surface covered with felt. Additional plastic strips on the floor





GFW 1200 / GLASS COMPARTMENT/GLAZING BEAD TROLLEYS

- Length 1,200 mm
- Width 1,400 mm
- Height 2,270 mm
- 20 compartments
- Clearance 30 mm
- Weight 210 kg
- Load 800 kg
- Roller diameter 125 mm