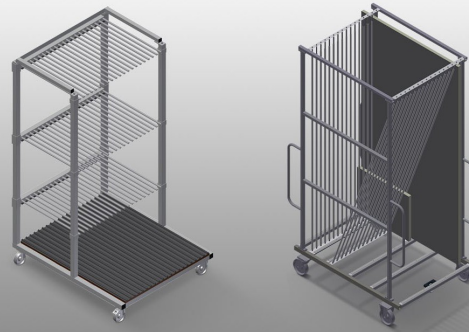




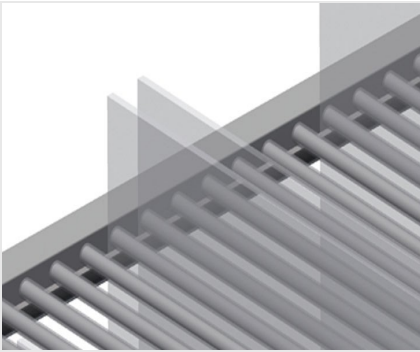
### GFW

Glass  
compartment/glazing  
bead trolleys



Glass transport trolley ideal for sorting glass and for in-house transportation of sheets of glass. Stable steel construction. GFW 1200: Hardwood supporting surface with felt. Compartment dividers for 20 sheets of glass. Compartment dividers height is adjustable. Four swivel castors, two of which with locking stop.

GFW 15: Compartment dividers for 15 sheets of glass. Access is possible from both sides. The glass supporting surface has a rubber profile. Compartment divider with plastic protector. Transport handle on both sides for mobility. Two swivel castors and two fixed rollers.



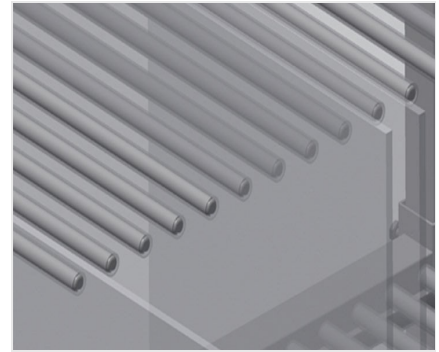
### Compartment divider with plastic protection GFW 1200

Compartment dividers height is adjustable. All supporting surfaces have a non-slip PVC cladding which protects sheets of glass from damage during storage



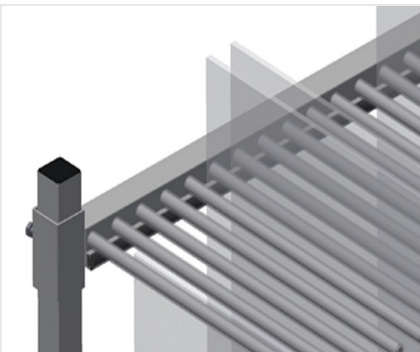
### Compartment divider with plastic protector GFW 15

All supporting surfaces have a non-slip PVC cladding which protects the sheets of glass from damage during storage



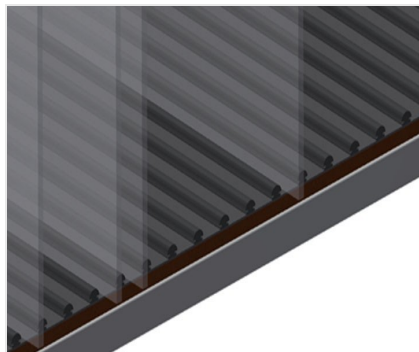
### Easy loading and unloading GFW 1200

Well-organised storage provides quick access



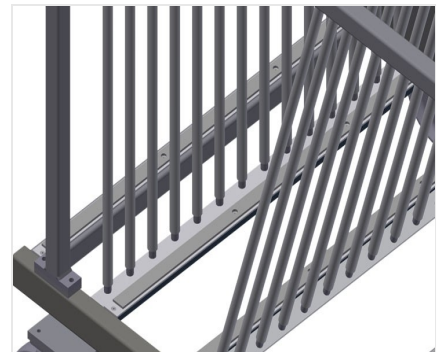
### Rear support with rubber strips GFW 1200

Rear supporting surfaces equipped with rubber strips protect sheets of glass from damage



### Wooden supporting surface with felt GFW 1200

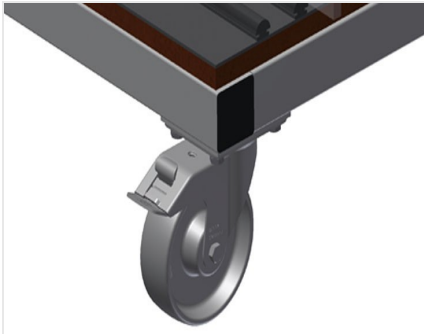
Lower supporting surface covered with felt. Additional plastic strips on the floor



### Supports GFW 15

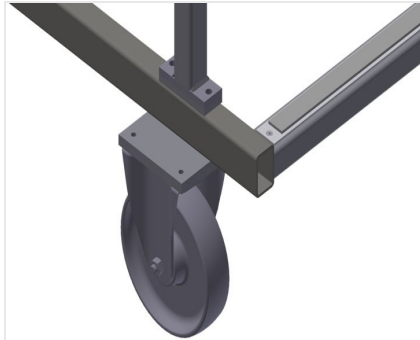
Lower supporting surfaces equipped with rubber profile to protect the sheets of glass from damage





**Castors GFW 1200**

Four castors, two of which have a fixing brake, provide a high degree of mobility and easy, safe handling



**Castors, compl. GFW 15**

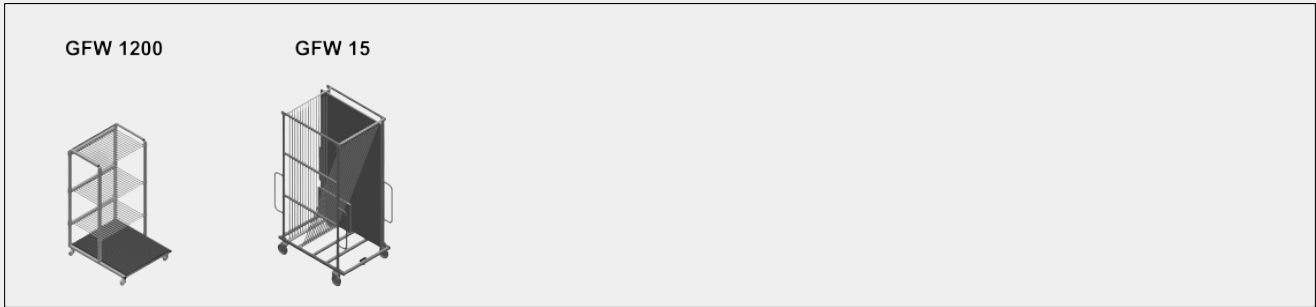
Two castors and two fixed rollers provide mobility in all directions. Roller diameter 200 mm





## GFW / GLASS COMPARTMENT/GLAZING BEAD TROLLEYS

### MODELS



### DIMENSION AND WEIGHT

#### GFW 1200 / GFW 15

Length (mm)	<input type="radio"/>
Width (mm)	<input type="radio"/>
Height (mm)	<input type="radio"/>
Weight (kg)	<input type="radio"/>

### STORAGE CAPACITY

#### GFW 1200 / GFW 15

Compartments	<input type="radio"/>
Load capacity (kg)	<input type="radio"/>
GFW 1200	
Clearance (mm)	<input type="radio"/>
GFW 15	
Compartment width (mm)	<input type="radio"/>
Compartment height (mm)	<input type="radio"/>

### CHARACTERISTICS

#### GFW 1200 / GFW 15

Swivel castors diameter (mm)	<input type="radio"/>
------------------------------	-----------------------

#### GFW 1200

Swivel castors	<input type="radio"/>
Swivel castors with locking stop	<input type="radio"/>

Included ● Available ○

elumatec AG  
 Pinacher Straße, 61  
 75417 Mühlacker  
 Germany

Tel +49 7041-14-184  
 sales@elumatec.com  
 www.elumatec.com

The right to make technical alterations is reserved.

