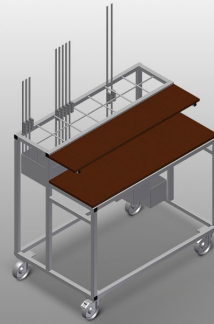




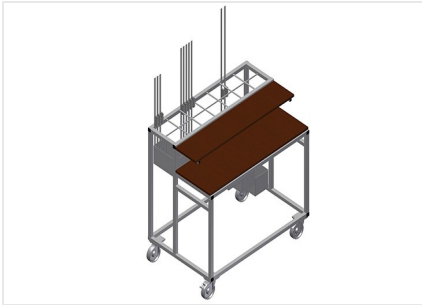
## ***BW7002***

### **HARDWARE TROLLEYS**



Hardware trolley for providing an organised arrangement of hardware

- Stable steel construction
- Two wooden shelves
- Equipped for the mounting of a punch press
- Four castors, two of which have a fixing brake

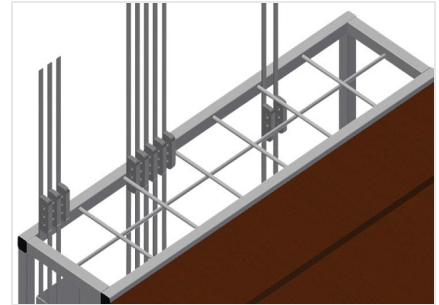


### Hardware trolley BW 7002



### Casters

Four casters, two of which have a fixing brake, provide a high degree of mobility and easy, safe handling



### Compartments

Four casters, two of which have a fixing brake, provide a high degree of mobility and easy, safe handling



### Storage area

Two storage areas for tools and accessories





### BW 7002 / HARDWARE TROLLEYS

---

- Length 1,110 mm
- Width 710 mm
- Height 1,090 mm
- Weight 50 kg
- Load 300 kg
- Roller diameter 125 mm
- Seven compartments