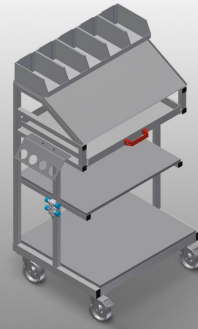




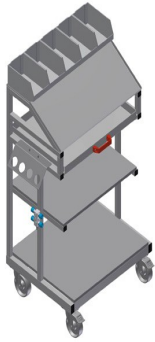
### WKW800

#### Tool trolleys

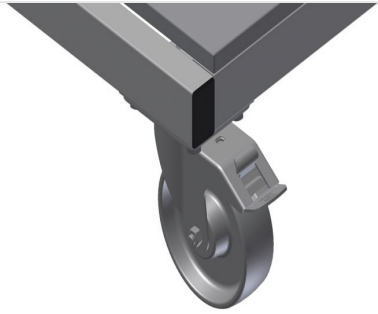


Accessories trolley for tools and small parts for the assembly station

- Stable steel construction
- The trolley is suitable for depositing tools and material
- Makes organising the workplace easy
- Makes transportation to the assembly station easy
- Two storage trays for setting down accessories and tools
- One drawer for tools
- Five PVC containers for small accessories, hardware and screws
- Storage area with reading desk for drawings
- 4-fold compressed air supply
- Tool rack for pneumatic or electric tools
- Four castors, two of which have a fixing brake

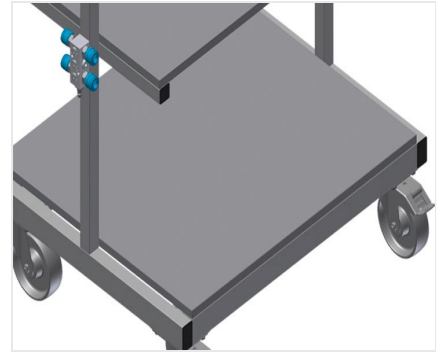


### Tool and small-parts trolley WKW 800



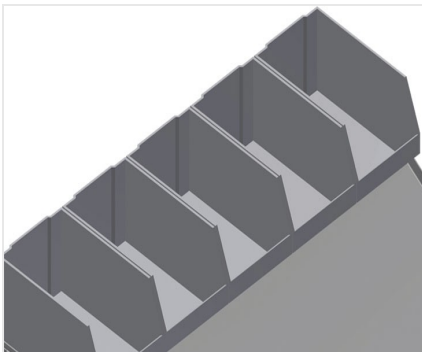
### Casters

Four casters, two of which have a fixing brake, provide a high degree of mobility and easy, safe handling



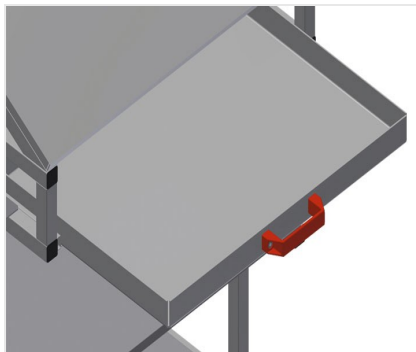
### Storage surfaces for accessories

Storage tray for setting down accessories and tools



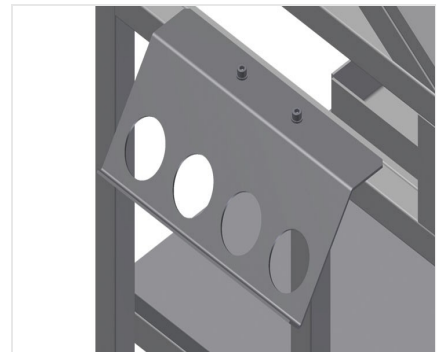
### Containers

PVC containers for small accessories, hardware and screws



### Drawer

Drawer for tools



### Tool rack

Tool rack for pneumatic and electrical tools





### WKW 800 / TOOL TROLLEYS

---

- Length 750 mm
- Width 600 mm
- Height 1,300 mm
- Weight 60 kg
- Load 300 kg
- Roller diameter 125 mm