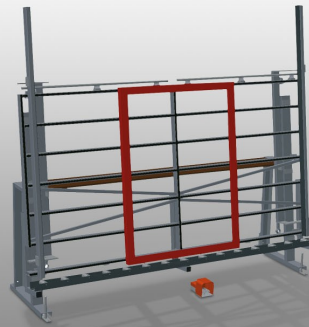




VE3000/60

Inspection and glazing
unit



Inspection and glazing unit for glazing and final inspection

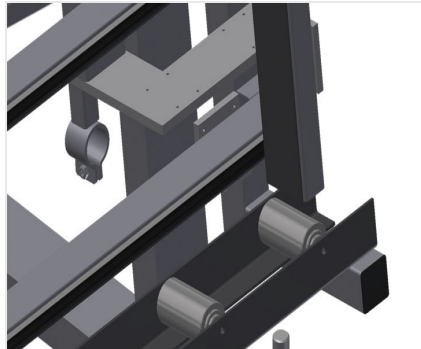
- Stable steel construction
- Quick and precise assembly of windows, doors and elements
- Precision ensured through parallel clamping bar pressing technique
- For glazing and functional checks
- For connecting frames and sashes
- With manually operated pressing bars
- Pneumatic centring
- Easy operation by means of foot switch
- Storage area for tools
- 4-fold compressed air supply

Option

- Height adjustment



Inspection and glazing unit VE 3000/60



Pressing bar

Pneumatic centring. Precision ensured through parallel clamping bar pressing technique



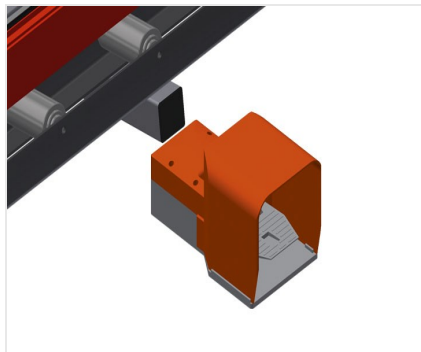
Back support

Rear back support with plastic slide bars



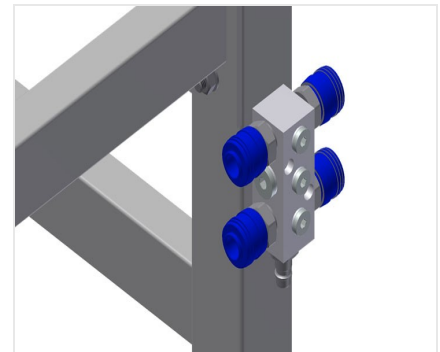
Supports

Lower roller conveyor with support rollers, L = 120 mm



Foot switch

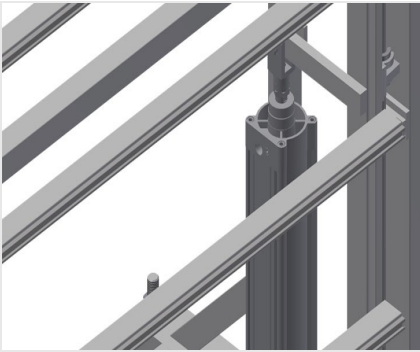
All functions are controlled via foot valves



4-fold compressed air connection

4-fold compressed air connection for connecting compressed-air tools





**Height adjustment VE
3000/60**

Height continuously adjustable, L = 500
mm





VE 3000/60 / INSPECTION AND GLAZING UNIT

- Length 3,050 mm
- Width 900 mm
- Height 2,600 mm
- Max. clamping width 2,800 mm
- Min. clamping width 390 mm
- Clamping bar height 2,300 mm
- Clamping bar width 100 mm
- Lower roller conveyor width 120 mm
- Weight 370 kg
- Load 200 kg
- Compressed air supply 7 bar
- Air consumption 35 l/min.