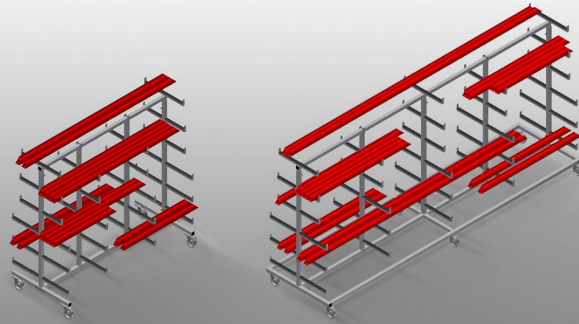




PWW

Profile transport trolleys

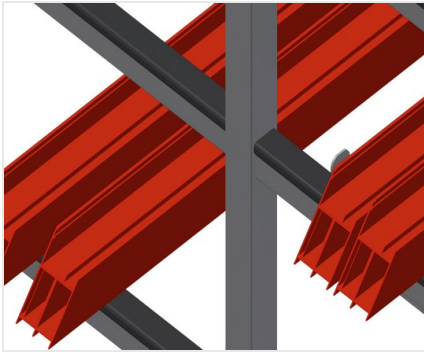


Profile trolley for horizontal storage and transportation of profiles. Stable steel construction. Horizontal profile transportation. Easy transportation of profile raw materials and cut-to-size profiles. Support arms are rubber coated. Profile trolley with profile supports on both sides. Six supports per upright.

PWW 1000: One centre upright. Four swivel castors, two of which with locking stop.

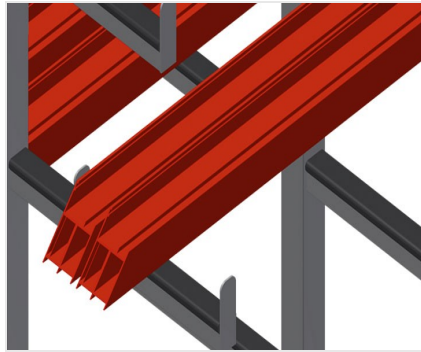
PWW 2000: Two centre uprights. Four swivel castors, two of which with locking stop.

PWW 4000: Three centre uprights. Six swivel castors, two of which with locking stop.



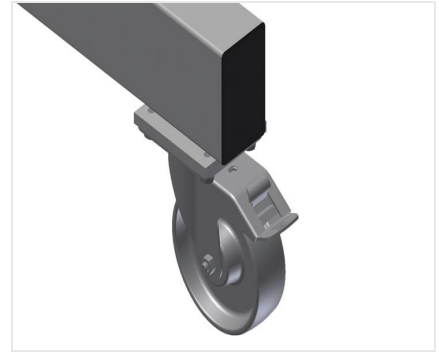
Easy loading and unloading

Well-organised storage provides quick access



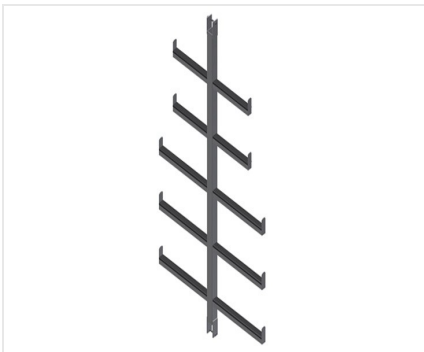
Support arms

Support arms are rubber coated. Adjustable centre upright



Casters

Four casters, two of which have a fixing brake, provide a high degree of mobility and easy, safe handling



Individual centre upright PWW 1000 / PWW 2000

Additional centre uprights





MODELS

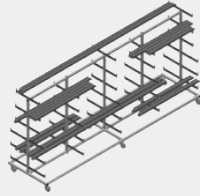
PWW 1000



PWW 2000



PWW 4000



DIMENSION AND WEIGHT

PWW 1000 / PWW 2000 / PWW 4000

Length (mm)	<input type="text"/>
Width (mm)	<input type="text"/>
Height (mm)	<input type="text"/>
Weight (kg)	<input type="text"/>

STORAGE CAPACITY

PWW 1000 / PWW 2000 / PWW 4000

Shelves	<input type="text"/>
Clearance (mm)	<input type="text"/>
Lower shelf width (mm)	<input type="text"/>
Upper shelf width (mm)	<input type="text"/>
Load capacity (kg)	<input type="text"/>



CHARACTERISTICS

PWW 1000 / PWW 2000 / PWW 4000

Centre upright	<input type="radio"/>
Swivel castors	<input type="radio"/>
Swivel castors with locking stop	<input type="radio"/>
Swivel castors diameter (mm)	<input type="radio"/>

PWW 1000 / PWW 2000

Individual centre upright	<input type="radio"/>
---------------------------	-----------------------

Included ● Available ○