



PWS1400

Profile transport trolleys

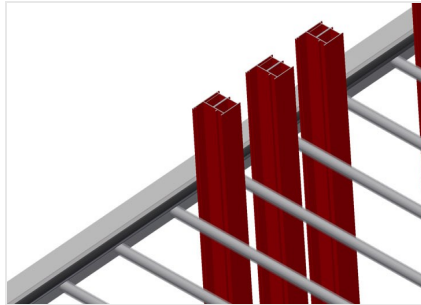


Profile trolley for vertical storage and transportation of aluminium profiles

- Stable steel construction
- Ideal for transportation and space-saving intermediate storage of cut-to-length profiles
- Vertical profile transportation
- Sufficient for 30 - 40 profile bars
- Compartment divider height is adjustable
- Lower supporting surface with rubber strips
- Compartment dividers with protective tubing
- Rear back support with rubber strips
- Four castors, two of which have a fixing brake



Profile transport trolley PWS 1400



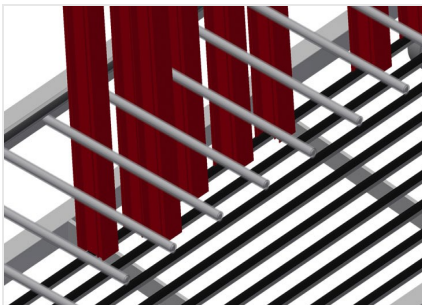
Compartment divider with plastic protector

Compartment divider height is adjustable. All supporting surfaces have a non-slip PVC cladding which protects surfaces from damage during storage



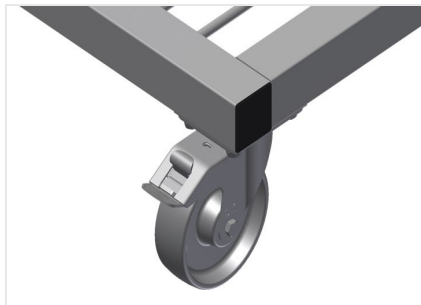
Back support with rubber strips

Rear supporting surfaces equipped with rubber strips protect profiles from damage



Lower supporting surfaces with rubber strips

Lower supporting surfaces equipped with rubber strips to protect the profiles from damage



Casters

Four casters, two of which have a fixing brake, provide a high degree of mobility and easy, safe handling





PWS 1400 / PROFILE TRANSPORT TROLLEYS

- Length 1,440 mm
- Width 790 mm
- Height 1,360 mm
- Two compartment dividers
- Nine compartments
- Roller diameter 125 mm
- Compartment width 120 mm
- Compartment depth 540 mm
- Unit height 1,150 mm
- Weight 72 kg
- Load 350 kg