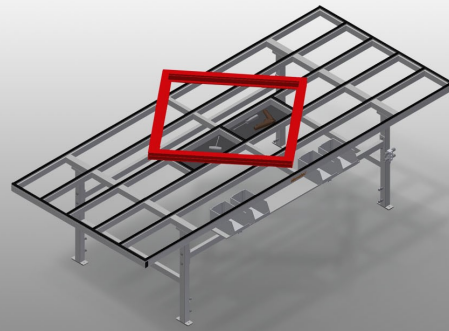




### MT3000

Horizontal assembly  
tables



Assembly table for all work tasks on frames and sashes

- Stable steel construction
- Assembly table for all work tasks on frames and sashes
- Table supporting surface with plastic slide bars
- Storage tray for setting down tools and accessories
- Adjustable height
- Practical storage area under the table surface
- Four PVC containers for small accessories, hardware and screws
- 4-fold compressed air supply
- Simple installation with a modular system design

#### Options

- Also available with brush strips on request
- Also available with felt strips on request (for wooden profiles)
- Also available with rubber strips on request (for aluminium profiles)
- Double two-pin grounded socket
- Tool rack
- Maintenance unit
- Castors, compl.
- Spiral hose

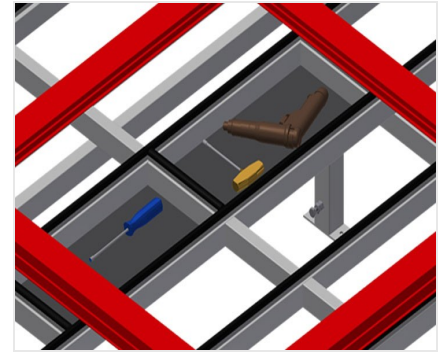


### Assembly table MT 3000



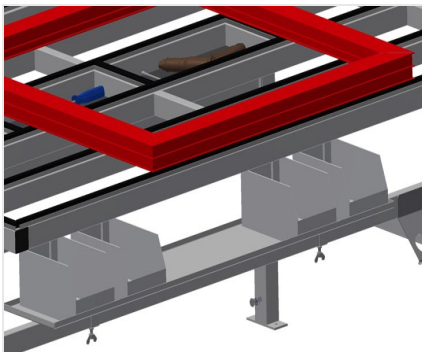
### Supporting surfaces

Supporting surfaces with plastic slide bars



### Storage tray

Storage tray for setting down tools and accessories



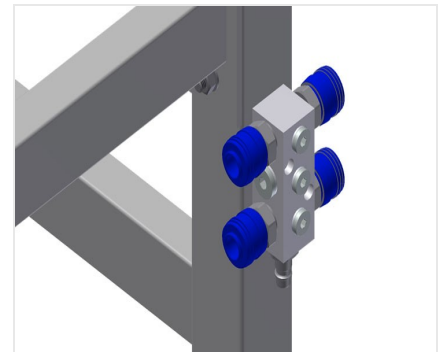
### Storage area

Storage area with four plastic trays for small accessories, hardware and screws



### Height adjustment

Adjustable height; working height can be set to 850 - 1,000 mm by means of adjustable feet



### 4-fold compressed air connection

4-fold compressed air connection for connecting compressed-air tools





### Casters, cmpl.

Two casters with brake and two fixed rollers provide mobility in all directions



### Brush strip

Supporting surfaces with brush strip



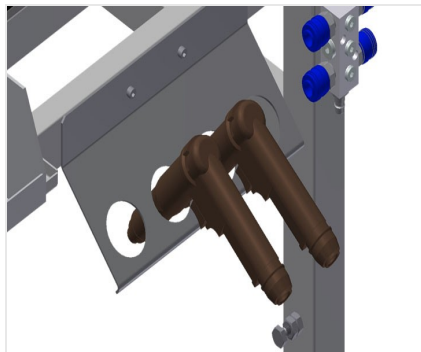
### Felt strip

Supporting surfaces with felt profile strip



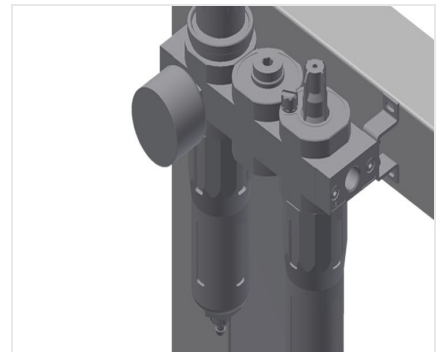
### Rubber strips

Supporting surfaces with rubber-knob profile



### Tool rack

Tool rack for pneumatic or electrical tools



### Maintenance unit

Maintenance unit for compressed-air tools





**Double two-pin grounded socket**



**Spiral hose**

Spiral hose L = 2.5 m with kink protection, coupling and connection for compressed-air tools



**MT 3000 / HORIZONTAL ASSEMBLY TABLES**

---

- Length 3,000 mm
- Height 850 - 1,000 mm
- Width 1,300 mm
- Weight 120 kg