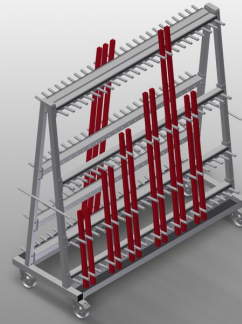




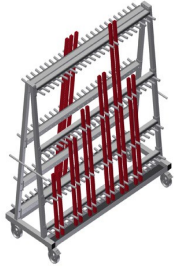
GLW48

GLASS
COMPARTMENT/GLAZING
BEAD TROLLEYS

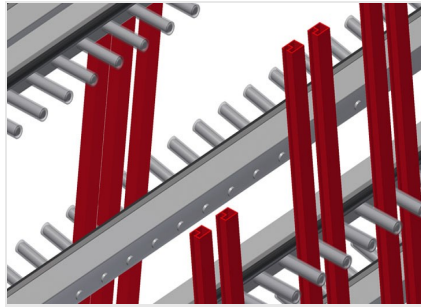


Profile trolley for vertical storage and transportation of aluminium glazing beads

- Stable steel construction
- Double-sided profile trolley for vertical storage and transportation of glazing beads
- Quick access to pre-sorted glazing beads
- Four sorting racks with fixed spacing
- Compartment dividers covered with protective tubing
- Lower supporting surface clad with protective rubber
- Rear back support with rubber strips
- 24 compartments per side
- Transport handle on both sides
- Four castors, two of which have a fixing brake

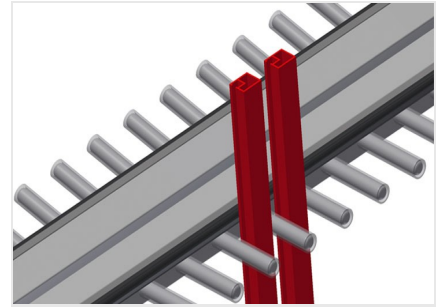


Glazing bead trolley GLW 48



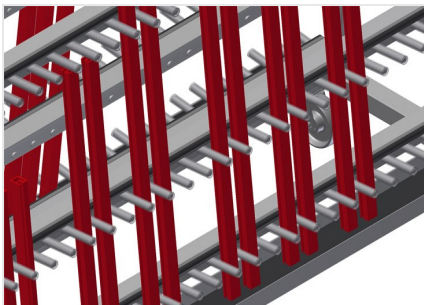
Compartment divider with plastic protector

All supporting surfaces have a non-slip PVC cladding which protects surfaces from damage during storage



Back support with rubber strips

Rear supporting surfaces equipped with rubber strips protect profiles from damage



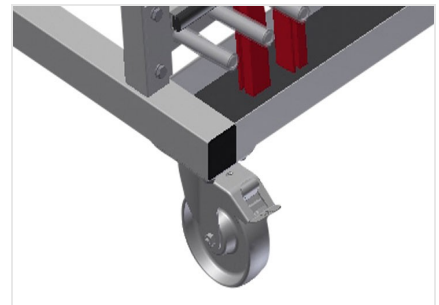
Supporting surfaces with protective rubber

Lower supporting surfaces clad with rubber protect the profiles from damage



Transport handles

Transport handles on both sides for mobility



Casters

Four casters, two of which have a fixing brake, provide a high degree of mobility and easy, safe handling



GLW 48 / GLASS COMPARTMENT/GLAZING BEAD TROLLEYS

- Length 1,620 mm
- Width 620 mm
- Height 1,640 mm
- Eight compartment dividers
- Compartment width 40 mm
- Compartment depth 90 mm
- Unit height 1,400 mm
- Weight 120 kg
- Load 400 kg
- 48 compartments
- Roller diameter 125 mm