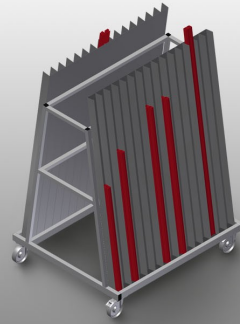




GLW30

Glass
compartment/glazing
bead trolleys

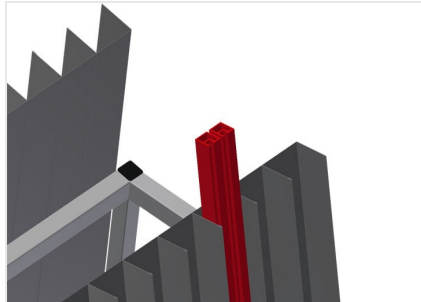


Glazing bead trolley for transportation and sorting of glazing beads

- Stable steel construction
- Ideal for vertical transportation and sorting of glazing beads
- Glazing bead trolley with 30 compartments
- 15 compartments per side
- Lower supporting surface clad with rubber
- Four castors, two of which have a fixing brake

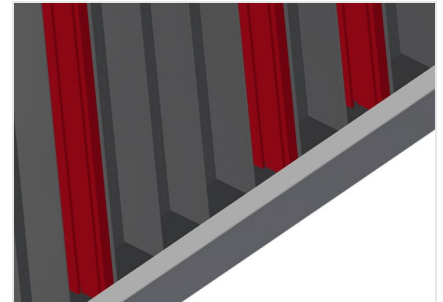


Glazing bead trolley GLW 30



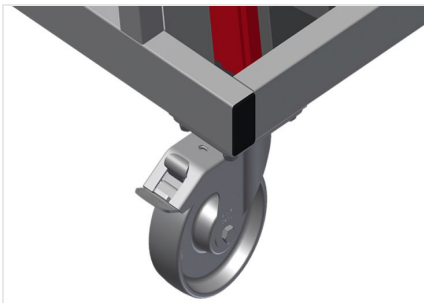
Compartments

15 compartments per side, 30 compartments in total. Compartment width 75 mm, Compartment depth 65 mm, Rear support height 1,500 mm, Rear support angle: 8°



Lower supporting surface

Lower supporting surface clad with rubber



Casters

Four casters, two of which have a fixing brake, provide a high degree of mobility and easy, safe handling





GLW 30 / GLASS COMPARTMENT/GLAZING BEAD TROLLEYS

- Length 1,185 mm
- Width 1,000 mm
- Height 1,660 mm
- 30 compartments
- Compartment width 75 mm
- Compartment depth 65 mm
- Weight 80 kg
- Load 350 kg
- Roller diameter 125 mm