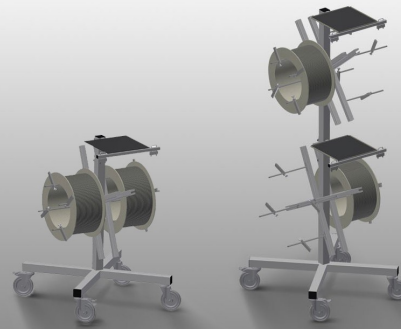


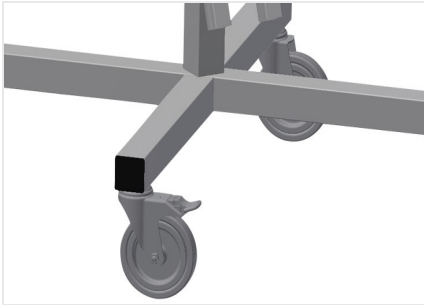


DW

Gasket trolleys

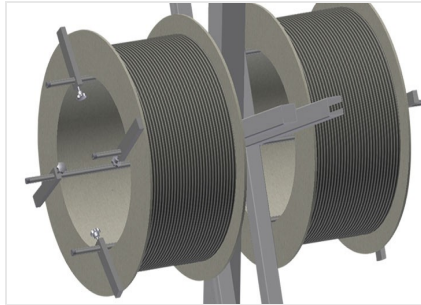


Gasket trolley for gasket reels. Stable steel construction. 2/4 reel mounts, according to model. Indispensable for gasket insertion. Adjustable for any reel diameter. Tool tray. Four swivel castors, two of which with locking stop.



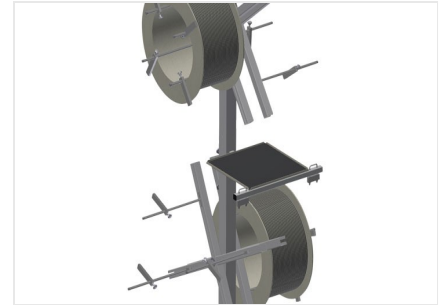
Casters

Four casters, two of which have a fixing brake, provide a high degree of mobility and easy, safe handling



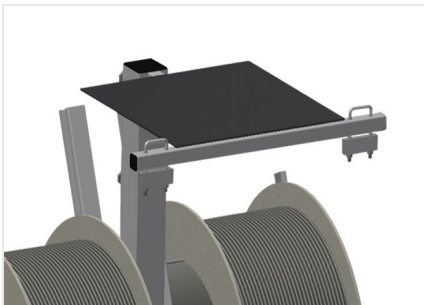
Reel mounts DW 2

For two gasket reels. Mounts adjustable for any reel size.



Reel mounts DW 4

For four gasket reels. Mounts adjustable for any reel size.



Storage area for tools

Practical tool tray located at working height



Unwinding brake

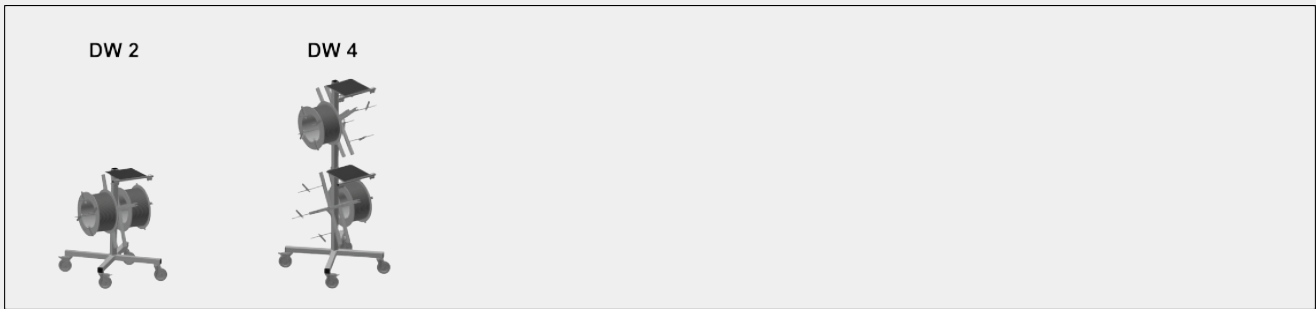
Unwinding brake for each reel





DW / GASKET TROLLEYS

MODELS



DIMENSION AND WEIGHT

DW 2 / DW 4

Length (mm)	<input type="radio"/>
Width (mm)	<input type="radio"/>
Height (mm)	<input type="radio"/>
Weight (kg)	<input type="radio"/>

CHARACTERISTICS

DW 2 / DW 4

Reel holder	<input type="radio"/>
Maximum reel diameter (mm)	<input type="radio"/>
Maximum reel width (mm)	<input type="radio"/>
Swivel castors	<input type="radio"/>
Swivel castors with locking stop	<input type="radio"/>
Swivel castors diameter (mm)	<input type="radio"/>

Included ● Available ○